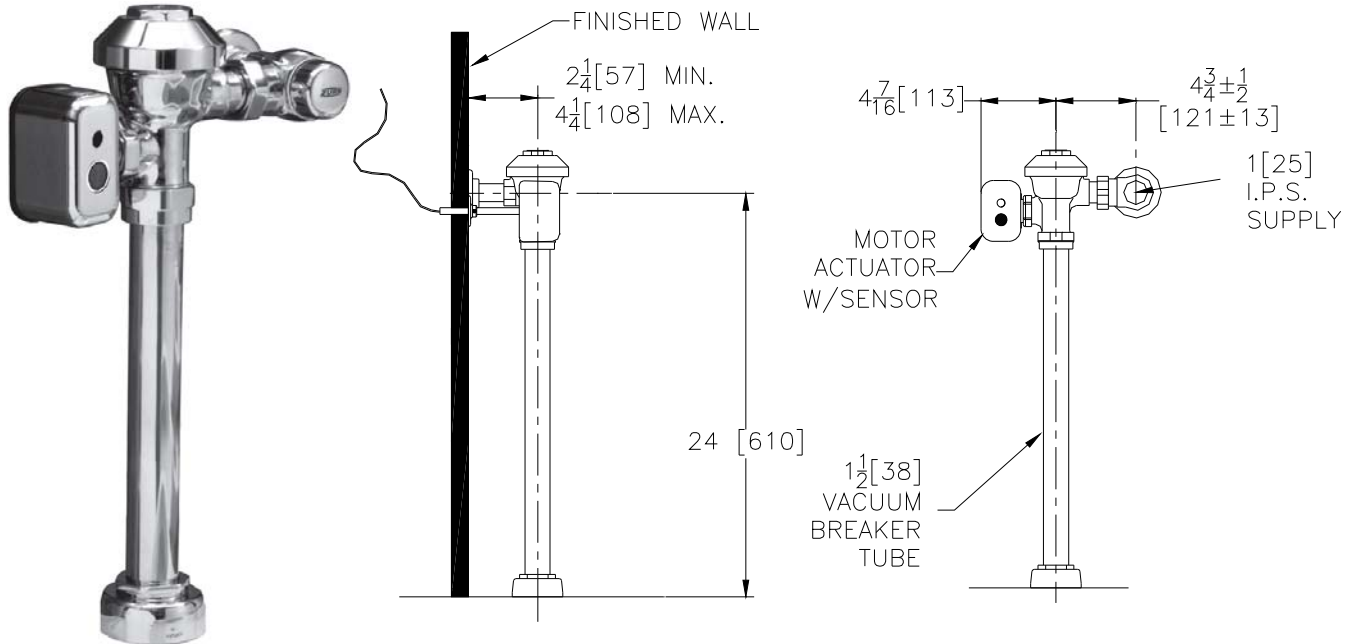




# ZEMS6000AV-2-IS

AquaVantage® 'AV' Exposed Water Closet Flush Valve



## Flow Options

- WS1 1.6 gpf Low Consumption Flush
- HET 1.28 gpf High Efficiency Flush

## Accessories

- YJ Split Ring Pipe Support
- YK Solid Ring Pipe Support
- YO Bumper on Angle Stop
- \_\_\_\_\_ Other

## Power Accessories(Order sererate as specified)

- P6000-PC6 Plug-in Power Converter (Up to 8 valves)
- P6000-MJ Mini Junction Box
- P6000-HW6 Hardwired Power Converter (Up to 8 valves)

NOTE: MUST USE EITHER ZURN P6000-HW6 HARDWIRE POWER CONVERTER OR ZURN P6000-PC6 PLUG-IN POWER CONVERTER TO ENSURE PROPER OPERATION. USING A POWER CONVERTER OTHER THAN ZURN MAY RESULT IN OPERATION MALFUNCTION OR UNIT FAILURE.

Architectural/Engineering Approval

ZURN INDUSTRIES, LLC. ♦ COMMERCIAL BRASS OPERATION  
5900 ELWIN BUCHANAN DRIVE ♦ SANFORD NC 27330  
Phone: 1-800-997-3876 ♦ Fax: 919-775-3541  
www.zurn.com

In Canada: ZURN INDUSTRIES LIMITED  
3544 Nashua Drive ♦ Mississauga, Ontario L4V1L2  
Phone: 905-405-8272 Fax: 905-405-1292

## ENGINEERING SPECIFICATIONS

Exposed, quiet diaphragm-type, chrome plated flushometer valve with a polished exterior.

- Zurn's AquaVantage® TPE diaphragm
  - Clog Resistant Triple filtered by-pass
  - Chloramine resistant
  - Dual seal
- Proprietary DR resistant low lead brass alloy
- Actuator
  - Integral infrared convergence-type proximity sensor
  - Manual push button override
- Control Stop
  - Internal siphon-guard protection
  - Vandal resistant stop cap
  - Sweat solder kit
  - Cast wall flange with set screw
- Vacuum Breaker
  - High back pressure
  - One piece hex coupling nut
- Internal seals
  - Chloramine resistant
- Adjustable tailpiece
- Spud coupling and flange for top spud connection

The information contained in this document is subject to change without notice.  
Please contact Zurn for most up to date information.