

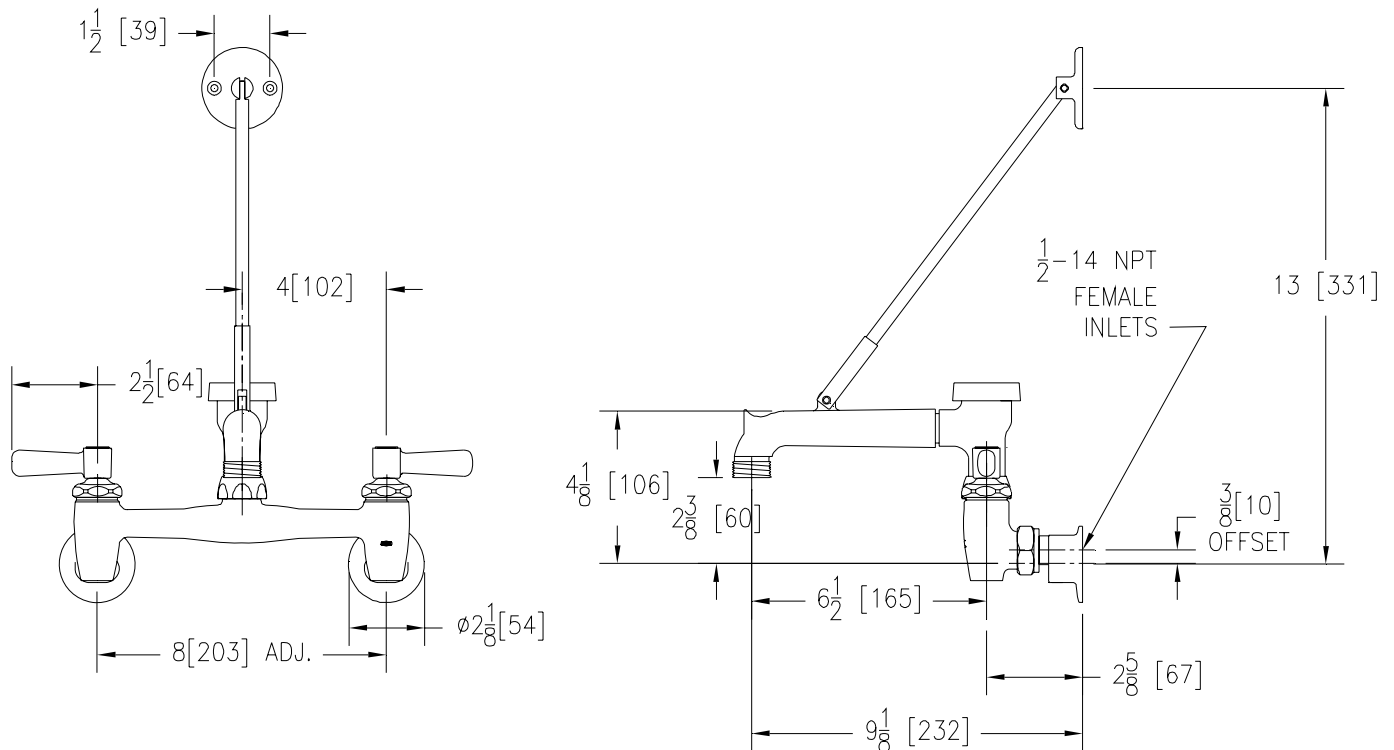


SINK FAUCET Z843M1-RC

TAG _____

Engineering Specifications: Zurn AquaSpec® Z843M1-RC

Rough chrome-plated cast brass 8" [203mm] sink faucet with quarter turn ceramic disc cartridges, 3/8" [10mm] short swivel inlets providing adjustable centers from 7-1/4" [184mm] to 8-3/4" [222mm], integral service stops and a 6" [152mm] centerline cast brass spout with chemical resistant vacuum breaker, 3/4" hose threaded outlet, pail hook and adjustable wall brace. Unit is furnished with 2-1/2" [64mm] vandal-resistant color-coded metal lever handles.



Note: All dimensions are for reference only. Do not use for pre-plumbing

OPTIONAL ACCESSORIES

Suffix	Description
___-CS	Check Stops
___-HCT	Hot/Cold Text Indexes
___-LSI	2-1/2" [64mm] Long Swivel Inlets
___-WHK	Wall Hook
___-5H	5' [152cm] Vinyl Hose
___-6P	Master Carton (Qty. 6)

ZURN INDUSTRIES, INC. ♦ COMMERCIAL BRASS OPERATION ♦ 2640 SOUTH WORK STREET ♦ FALCONER NY 14733

Phone: 1-716-665-1132 ♦ Fax: 1-716-665-1135 ♦ World Wide Web: www.zurn.com

In Canada: ZURN INDUSTRIES LIMITED ♦ 3544 Nashua Drive ♦ Mississauga, Ontario L4V1L2 ♦ Phone: 905/405-8272 Fax: 905/405-1292