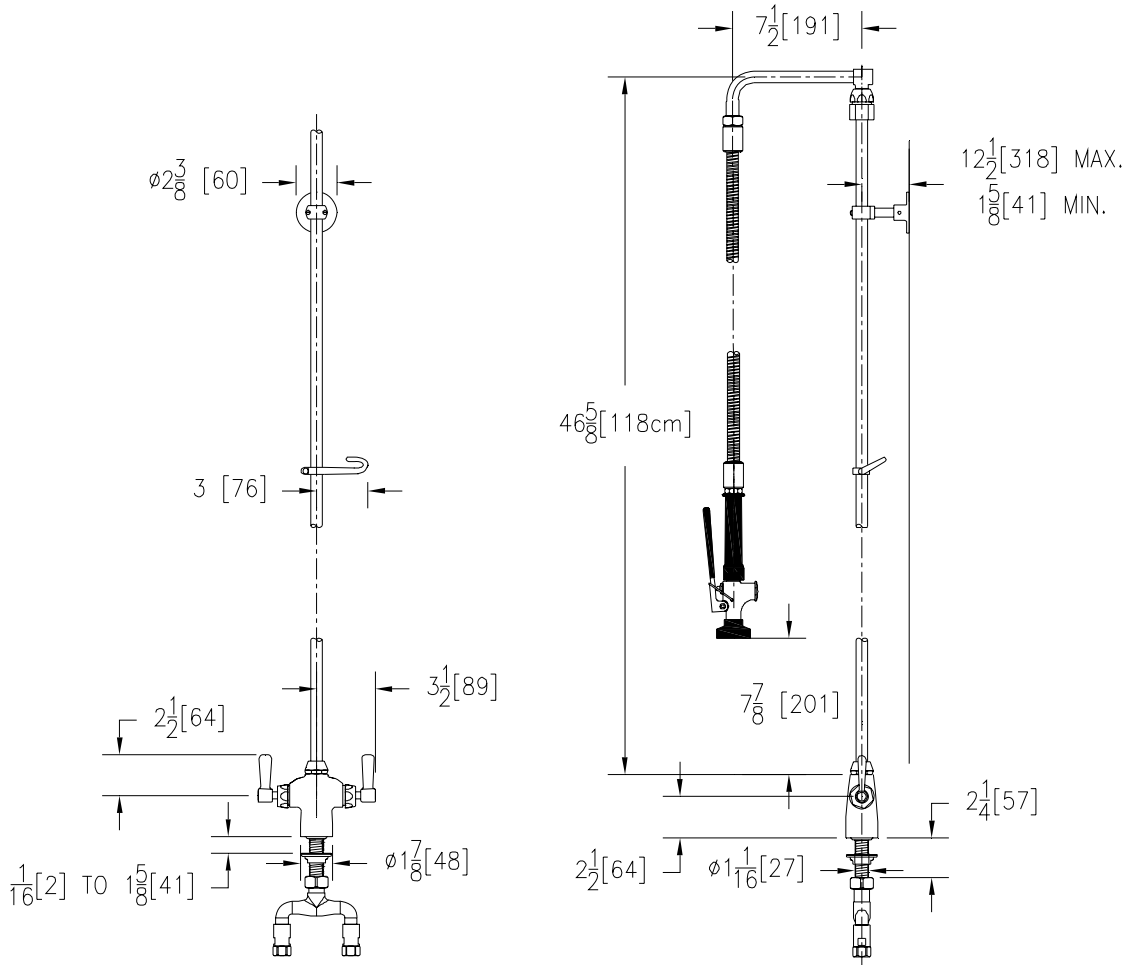


**Engineering Specification: Zurn AquaSpec® Z826W1**

Polished chrome plated deck mounted pre-rinse faucet with an integral shank, quarter turn ceramic disc cartridges, mixing yoke with 1/2" check stop inlets and 2-1/2"[64mm] vandal resistant color-coded metal lever handles. Unit is furnished with a 44"[112cm] riser, a 7-1/2"[191mm] swing spout, a 24"[61cm] flexible stainless steel hose, a self-closing 1.24 GPM @ 60 psi (4.7 L/min. @ 400 kPa) pre-rinse valve with an insulated 6"[152mm] handle, a stay open clip, a protective bumper spray head, a pipe support and a hose hook.



Note: All dimensions are for reference only. Do not use for pre-plumbing

**OPTIONAL ACCESSORIES**

Suffix	Description
___-G	1-1/4"[32mm] Grid strainer Drain
___-H	Stainless Steel Hose (Specify Length 36"[91cm], 48"[122cm] or 72"[183cm])
___-HCT	Hot/Cold Text Indexes
___-PR2	Angled Self Closing Pre-rinse Valve
___-PR3	Angled Aerated Self-closing Pre-rinse valve
___-PR6	Self-Closing Pre-Rinse Valve, Straight Nozzle with Diffuser
___-PT	1-1/4"[32mm] Cast Brass P-Trap with 7-1/2"[191mm] Long 17-Gauge Wall Bend

ZURN INDUSTRIES, LLC ♦ COMMERCIAL BRASS OPERATION ♦ 2640 SOUTH WORK STREET ♦ FALCONER NY 14733

Phone: 1-716-665-1132 ♦ Fax: 1-716-665-1135 ♦ World Wide Web: [www.zurn.com](http://www.zurn.com)

In Canada: ZURN INDUSTRIES LIMITED ♦ 3544 Nashua Drive ♦ Mississauga, Ontario L4V1L2 ♦ Phone: 905/405-8272 Fax: 905/405-1292