



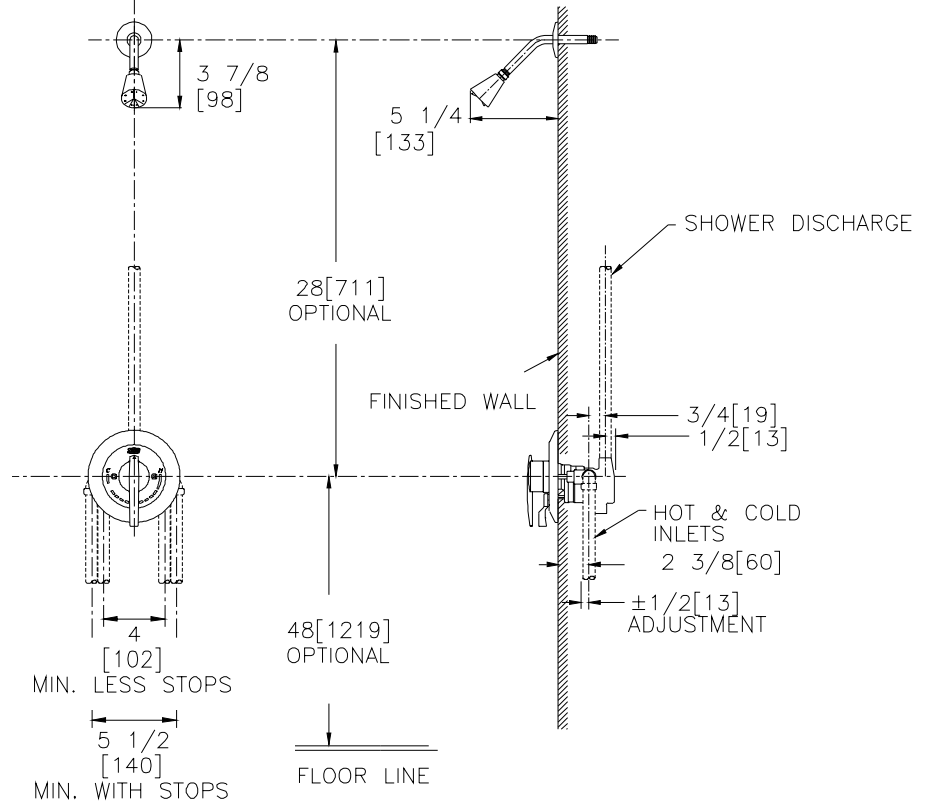
TEMP-GARD SHOWER UNIT

Z7121-SS-LH

TAG

ENGINEERING SPECIFICATIONS: ZURN Z7121-SS-LH

Single handle pressure balancing mixing shower unit with volume control, single bronze stem, stainless steel balancing piston integral with stem assembly, metal lever handle, integral service stops, and brass adjustment limit stop screw in cap. Complete with double seal packing, adjustable brass packing nut, and removable brass seats; all exposed trim with polished nickel chrome plated surface. Valve supplied with standard shower head, arm and flange. The hot and cold inlets and shower outlet are in 1/2" female copper sweat connections.



Note: All dimensions are for reference only. Do not use for pre-plumbing

OPTIONS (Check/specify appropriate options) Use with Z7000 prefix

STANDARDS

Suffix	Description
___ -BC	Back Connections (1/2") (For 90° Installations), Shipped as Loose Adaptors, to be Installed in the Field
___ -CC	Conversion Cover Plate
___ -DT	Dial Thermometer
___ -IP	1/2" Female Threaded Connections, Shipped as Loose Adaptors, to be Installed in the Field
___ -MT	Metal Cover, Escutcheon & Stem Handle
___ -RC	Reverse Connections (For Back-to-Back Installations)
___ -SC	Pair of Dual Spring Check Valves
___ -STH	ABS Chrome Plated Handle with Screw and Button
___ -WF	Wall Mounting Flange For Fiberglass or Panel Wall Installation

Tested to meet the following standards for valves and plumbing fittings:
 ASSE Standard No. 1016
 CSA Standard B125-M89
 Shower heads meet ANSI A112.18.1
 Meets or Exceeds ANSI A117.1M standard for physically handicapped



ZURN INDUSTRIES, LLC ♦ COMMERCIAL BRASS OPERATION ♦ 2640 SOUTH WORK STREET ♦ FALCONER NY 14733

Phone: 1-716-665-1132 ♦ Fax: 1-716-665-1135 ♦ World Wide Web: www.zurn.com

In Canada: ZURN INDUSTRIES LIMITED ♦ 3544 Nashua Drive ♦ Mississauga, Ontario L4V1L2 ♦ Phone: 905/405-8272 Fax: 905/405-1292