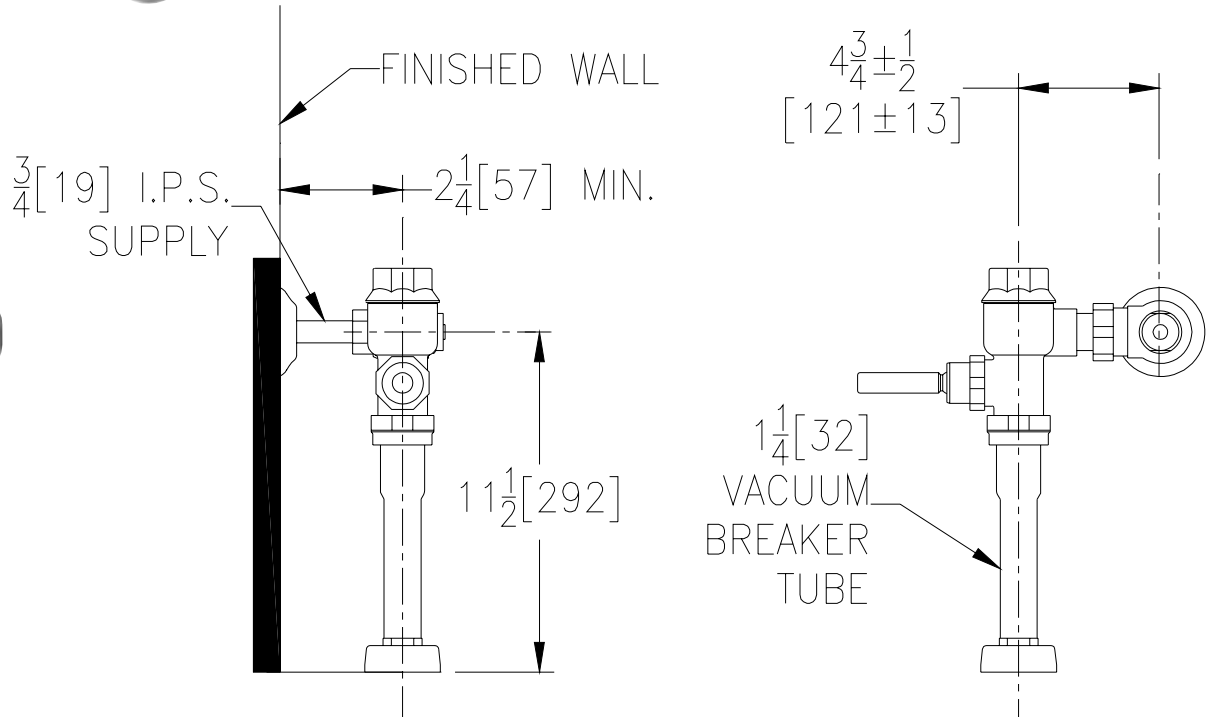




Metroflush™

TAG _____

Exposed Z6201 Model Metroflush Piston Operated Flush Valve For 1-1/4" Urinal Valves



Flow Options

- WS1 1.0 Gal. Low Consumption Flush
- FF 3.0 Gal. Full Flush
- Standard Flush 1.5 Gallons Per Flush

Suffix Options (Check/Specify Appropriate Options)

- _____ -L 1"[25] Metal Push Button
- _____ -L3 3"[76] Metal Push Button
- _____ -VC Vandal Resistant Stop Cover
- _____ -XYV Less Vacuum Breaker
- _____ -YB Sweat Solder Kit
- _____ -YC Cast Wall Flange
- _____ -YJ Split Ring Pipe Support
- _____ -YK Solid Ring Pipe Support
- _____ Other

ENGINEERING SPECIFICATION: ZURN Z6201 Metroflush Piston Operated Exposed Urinal Flush Valve-

The Metroflush is an exposed, quiet piston type, chrome plated flushometer valve with polished exterior. Complete with Zurn MetroVantage chloramine resistant piston with a clog resistant filtered by-pass. The valve is ADA compliant with a non-hold open and no-leak handle feature, high back pressure vacuum breaker, one piece hex coupling nut, adjustable tailpiece, spud coupling and flange for top spud connection. Control stop has internal siphon-guard protection. Internal seals are made of chloramine resistant materials.

This space is for Architectural/engineering Approval

ZURN INDUSTRIES, INC. ♦ COMMERCIAL BRASS OPERATION ♦ 5900 ELWIN BUCHANAN DRIVE ♦ SANFORD NC 27330

Phone: 1-800-997-3876 ♦ Fax: 919-775-3541 ♦ World Wide Web: www.zurn.com

In Canada: ZURN INDUSTRIES LIMITED ♦ 3544 Nashua Drive ♦ Mississauga, Ontario L4V1L2 ♦ Phone: 905-405-8272 Fax: 905-405-1292