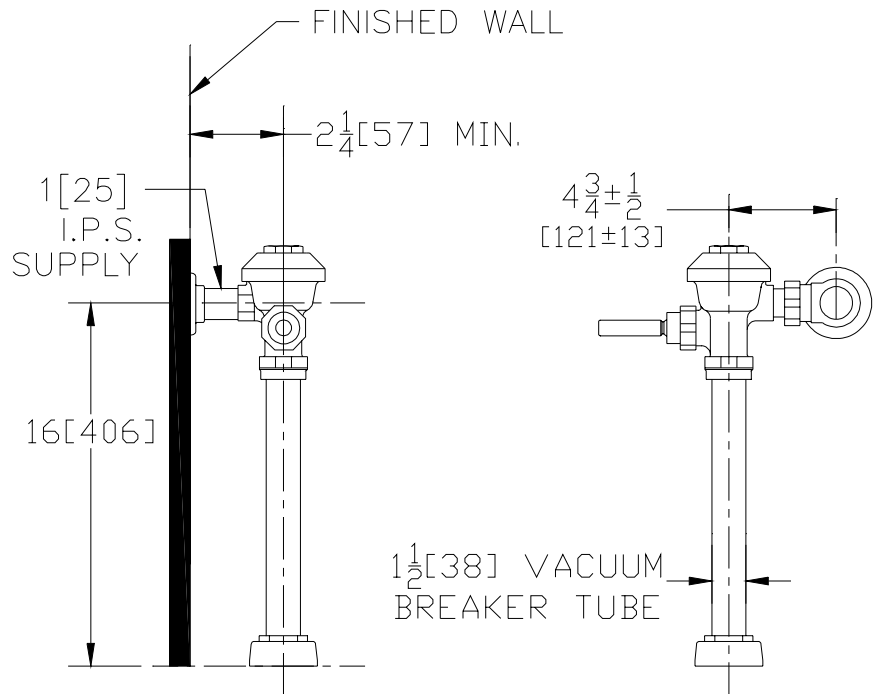




## Exposed Z6000AV-1 Model For Water Closets



### Flow Options

- |   |                          |
|---|--------------------------|
| <input type="checkbox"/> -WS1           | 1.6 Gal. Low Consumption |
| <input type="checkbox"/> -FF            | 4.5 Gal. Full Flush      |
| <input type="checkbox"/> Standard Flush | 3.5 Gallons Per Flush    |

### Suffix Options (Check/Specify Appropriate Options)

- |           |                                |
|-----------|--------------------------------|
| _____ -BG | BioCare Handle                 |
| _____ -H  | Handle on Front of Flush Valve |
| _____ -L  | 1" [25] Metal Push Button      |
| _____ -L3 | 3" [76] Metal Push Button      |
| _____ -YJ | Split Ring Pipe Support        |
| _____ -YK | Solid Ring Pipe Support        |
| _____ -YO | Bumper on Angle Stop           |
| _____     | Other                          |

### ENGINEERING SPECIFICATION: ZURN Z6000AV-1

**AquaVantage® 'AV' Exposed Closet Flush Valve-** Exposed, quiet diaphragm-type, chrome plated flushometer valve with a polished exterior. Complete with Zurn's AquaVantage® TPE, chloramine resistant, dual seal diaphragm with a clog resistant, triple filtered by-pass. The valve is ADA compliant with a non-hold open and no leak handle feature, high back pressure vacuum breaker, one piece hex coupling nut, adjustable tailpiece, spud coupling and flange for top spud connection. Control stop has internal siphon-guard protection, vandal resistant stop cap, sweat solder kit, and a cast wall flange with set screw. Internal seals are made of chloramine resistant materials.

This space is for Architectural/engineering Approval