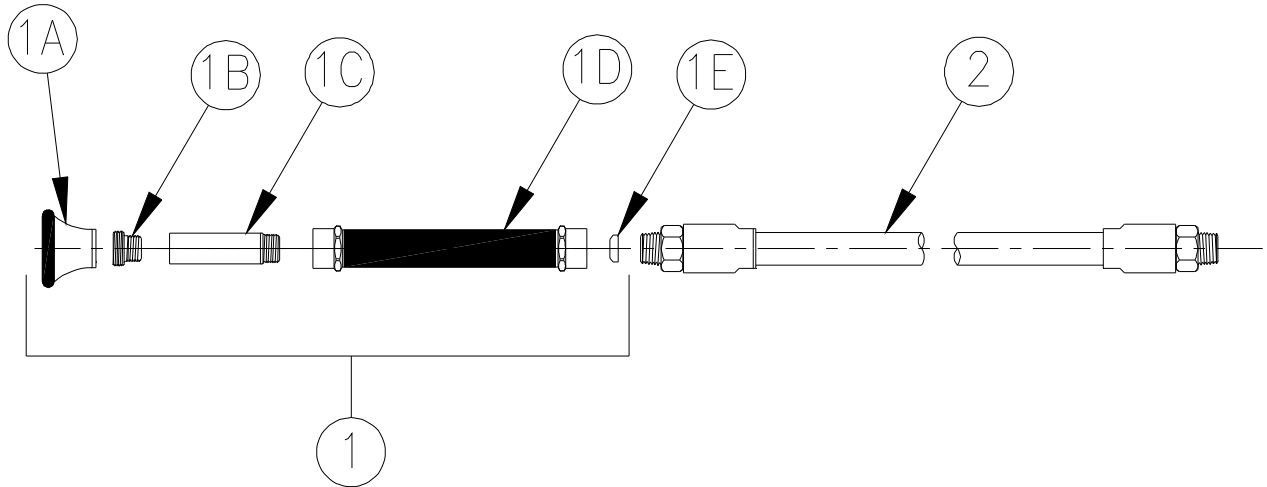


SPRAY HOSE

Z80000-SH1 Parts List



Item	Part Number	Description	Qty.
1	G62715	SH1 Handle S/A	1
1A	61285002	Spray Aerator S/A	1
1B	61555001	Adaptor, 3/4-27 UNS Male X 9/16-18 UNF Male	1
1C	62163001	Handle Tube 2-3/8"[60] Long	1
1D	61598001	Insulated Hose Handle	1
1E	60416001	Conical Washer	1
2	61705048	Flexible Vinyl Hose, 48"[122 cm] Long	1

ZURN INDUSTRIES, INC. ♦ COMMERCIAL BRASS OPERATION ♦ 2640 SOUTH WORK STREET ♦ FALCONER NY 14733
 Phone: 1-716-665-1132 ♦ Fax: 1-716-665-1135 ♦ World Wide Web: www.zurn.com
 In Canada: ZURN INDUSTRIES LIMITED ♦ 3544 Nashua Drive ♦ Mississauga, Ontario L4V1L2 ♦ Phone: 905/405-8272 Fax: 905/405-1292