



LABORATORY FAUCET - DOUBLE

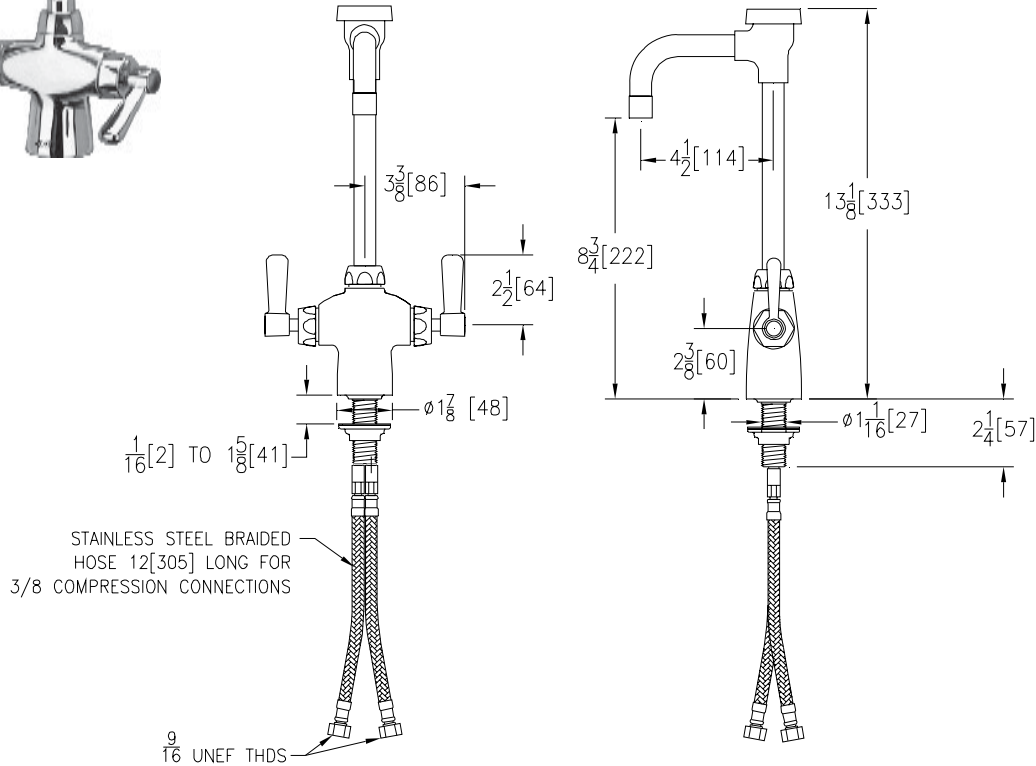
Z826T1

TAG _____



Engineering Specifications: Zurn AquaSpec® Z826T1

Polished chrome-plated double laboratory faucet with integral shank, quarter turn ceramic disc cartridges and a 4-1/2" [114mm] centerline rigid gooseneck spout with vacuum breaker. Unit is furnished with a 2.2 GPM [8.3 L] pressure compensating aerator (complying with ANSI A112.18.1 Standard for flow), 2-1/2" [64mm] vandal-resistant color-coded metal lever handles, mounting hardware and stainless steel flex connection hoses.



Note: All dimensions are for reference only. Do not use for pre-plumbing.

OPTIONAL ACCESSORIES

Suffix	Description
___-AR	Anti-Rotation Pins
___-CST	Copper Supply Tubes
___-FC	2.0 GPM [7.6 L] Laminar Flow Control in Base of Spout
___-G	1-1/4" [32mm] Grid Strainer Drain
___-GH	1-1/4" [32mm] Offset Handicap Grid Strainer
___-HCT	Hot/Cold Text Indexes
___-LP	Low Profile
___-MY	Mixing Yoke Assembly Instead of Braided Hoses
___-MYCS	Mixing Yolk with Check Stop
___-PT	1-1/4" [32mm] Cast Brass P-Trap with a 7-1/2" [191mm] Long 17-Gauge Wall Bend
___-6M	Male Serrated Nozzle Outlet
___-7M	1.0 GPM [3.8 L] Pressure Compensating Male Spray Outlet
___-16M	1.0 GPM [3.8 L] Vandal Resistant Pressure Compensating Male Spray Outlet
___-17M	1.5 GPM [5.7 L] Vandal Resistant Pressure Compensating Male Aerator
___-18M	1.5 GPM [5.7 L] Vandal Resistant Pressure Compensating Male Laminar Flow
___-18FH	18" [457mm] S.S. Braided Flex Hoses

ZURN INDUSTRIES, INC. ♦ COMMERCIAL BRASS OPERATION ♦ 2640 SOUTH WORK STREET ♦ FALCONER NY 14733

Phone: 1-716-665-1132 ♦ Fax: 1-716-665-1135 ♦ World Wide Web: www.zurn.com

In Canada: ZURN INDUSTRIES LIMITED ♦ 3544 Nashua Drive ♦ Mississauga, Ontario L4V1L2 ♦ Phone: 905/405-8272 Fax: 905/405-1292