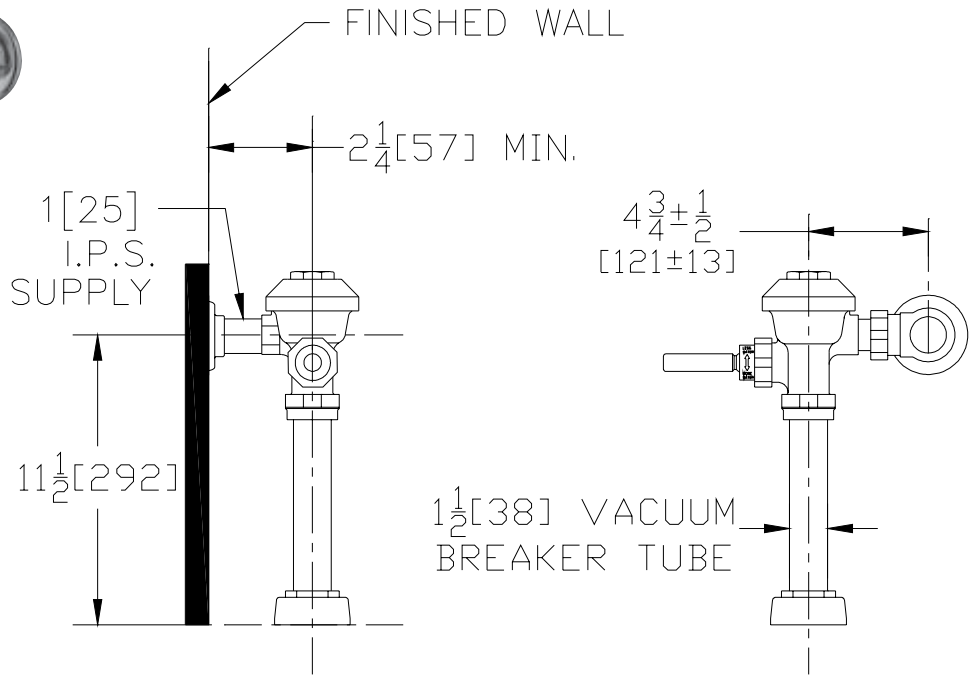




Exposed Z6000AV-DF Dual Flush Model Flush Valve For Water Closets



Flow Options

- WS1** 1.6 Gal. Low Consumption Flush
- FF** 4.5 Gal. Full Flush
- Standard Flush** 3.5 Gallons Per Flush

Suffix Options (Check/Specify Appropriate Options)

- _____ **-H** Handle on Front of Flush Valve
- _____ **-YJ** Split Ring Pipe Support
- _____ **-YK** Solid Ring Pipe Support
- _____ **-YO** Bumper on Angle Stop
- _____ **Other**

ENGINEERING SPECIFICATION: ZURN Z6000AV-DF Dual Flush AquaVantage® 'AV' Exposed Closet Flush Valve - Exposed, quiet diaphragm-type, chrome plated flushometer valve with a polished exterior. The valve is ADA compliant with a non-hold open and no leak dual flush handle feature. Lifting the handle up initiates a reduced flush of 30% for the evacuation of liquid waste. Pushing the handle down actuates a full flush for solid waste. A wall plate is furnished with graphics and instructions for user operations. The valve incorporates the AquaVantage® TPE, chloramine resistant, dual seal diaphragm with a clog resistant, triple filtered by-pass. The valve also includes a high back pressure vacuum breaker, one piece hex coupling nut, adjustable tailpiece, spud coupling and flange for top spud connection. The control stop has internal siphon-guard protection, vandal resistant stop cap, sweat solder kit, and a cast wall flange with set screw. All seals and gaskets are made of chloramine resistant materials.



This space is for Architectural/engineering Approval