



T&S BRASS AND BRONZE WORKS, INC.

2 Saddleback Cove / P.O. Box 1088
Travelers Rest, SC 29690



REG. #A2601
ISO #9001

Model No.
B-2991

Item No.

Travelers Rest, SC: 800-476-4103 Simi Valley, CA: 800-423-0150 Fax: 864-834-3518 www.tsbrass.com

This Space for Architect/Engineer Approval

Job Name _____ Date _____

Model Specified _____ Quantity _____

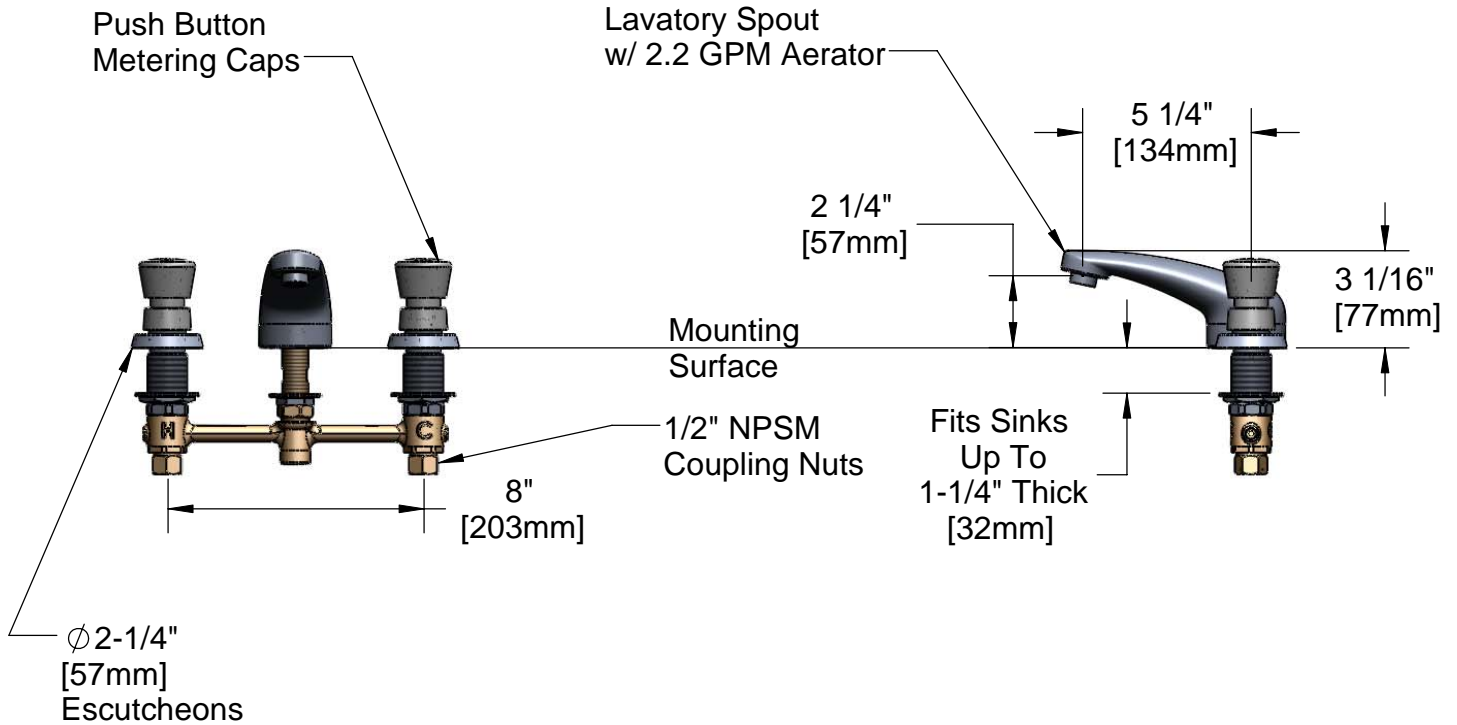
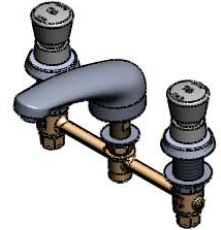
Customer/Wholesaler _____

Contractor _____

Architect/Engineer _____



ADA Compliant



Note: Rough-In Required:
 Ø 1" [25mm] for Center Shank
 Ø 1-1/2" [38mm] for Hot/Cold Side [1-1/4" [32mm] Minimum]

Product Specifications:
**EasyInstall Faucet w/ Push Button Handles,
 Metering Cartridges, 8" Inlet Centers, &
 Lavatory Spout w/ 2.2 GPM Aerator**

Drawn JRM	Checked GEF	Approved JHB
Scale: NTS		Date: 12/08/08



T&S BRASS AND BRONZE WORKS, INC.

2 Saddleback Cove / P.O. Box 1088
Travelers Rest, SC 29690



REG. #A2601
ISO #9001

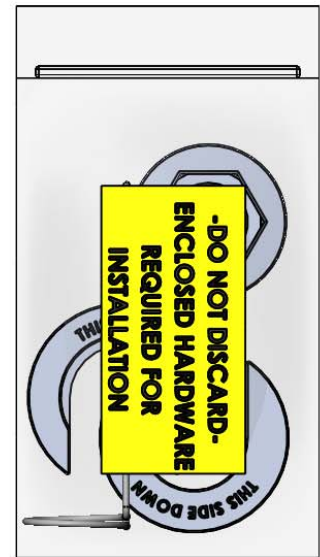
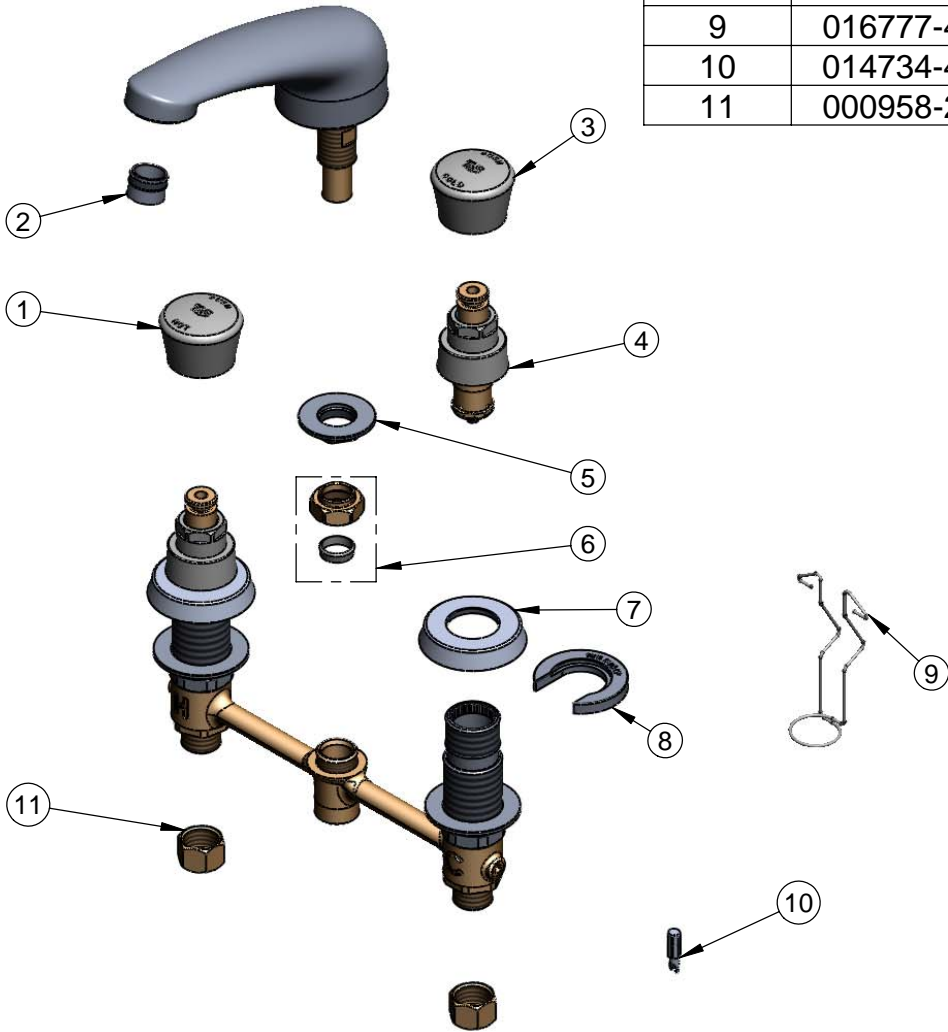
Model No.

B-2991

Item No.

Travelers Rest, SC: 800-476-4103 Simi Valley, CA: 800-423-0150 Fax: 864-834-3518 www.tsbrass.com

ITEM NO.	SALES NO.	DESCRIPTION
1	014194-40	Hot Cap Assembly
2	B-0199-03	2.2 GPM Aerator
3	014195-40	Cold Cap Assembly
4	238A	Push Button Metering Cartridge
5	016742-45	Center Flange Nut
6	016745-45	Compression Nut & Fitting
7	017292-45	Metering CWS Escutcheon
8	016749-45	Sidebody C-Washer
9	016777-45	CWS Hanger
10	014734-45	#8 Spanner Bit
11	000958-20	Coupling Nut



017245-40
Installation Repair Kit
Includes #5, (2)#8, & #9

Product Specifications:

EasyInstall Faucet w/ Push Button Handles,
Metering Cartridges, 8" Inlet Centers, &
Lavatory Spout w/ 2.2 GPM Aerator

Drawn JRM	Checked GEF	Approved JHB
Scale: NTS		Date: 12/08/08