



T&S BRASS AND BRONZE WORKS, INC.

2 Saddleback Cove / P.O. Box 1088
Travelers Rest, SC 29690



REG. #A2601
ISO #9001

Model No.

B-2991-PA

Item No.

Travelers Rest, SC: 800-476-4103 Simi Valley, CA: 800-423-0150 Fax: 864-834-3518 www.tsbrass.com

This Space for Architect/Engineer Approval

Job Name _____ Date _____

Model Specified _____ Quantity _____

Customer/Wholesaler _____

Contractor _____

Architect/Engineer _____



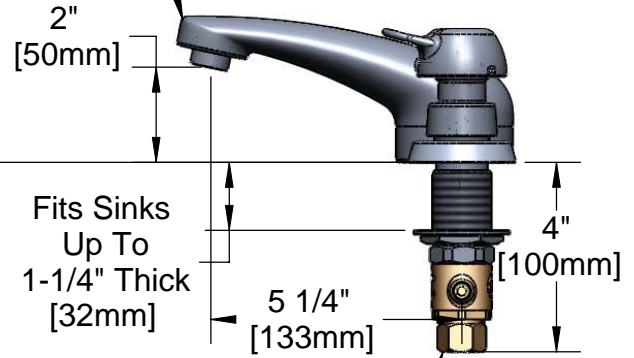
ADA Compliant



238H-PA (Hot Side)
238AC-PA (Cold Side)
Pivot Action Metering w/ Hot & Cold
Handles and Vandal Resistant Screws

Vandal Resistant Screw.
Loosen Screw (Do Not Remove) and
Flip Handle Up to Access Metering
Adjustment. (Metering Adjustment
Requires 3/32" Hex Key (Not Provided))

Lavatory Spout
w/ B-0199-03
2.2 GPM Aerator



Mounting
Surface

Fits Sinks
Up To
1-1/4" Thick
[32mm]

8"
[203mm]

Ø 2-1/4"
[57mm]
Escutcheons

Note: Rough-In Required:
Ø 1" [25mm] for Center Shank
Ø 1-1/2" [38mm] for Hot/Cold Side [1-1/4" [32mm] Minimum]

Product Specifications:

**EasyInstall CWS Faucet, Pivot Action Metering Assembly,
Cast Spout w/ 2.2 GPM Aerator & 8" c/c Inlets**

Drawn
JRM

Checked
GEF

Approved
JHB

Scale:

NTS

Date:

12/08/08



T&S BRASS AND BRONZE WORKS, INC.

2 Saddleback Cove / P.O. Box 1088
Travelers Rest, SC 29690



REG. #A2601
ISO #9001

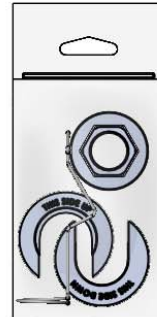
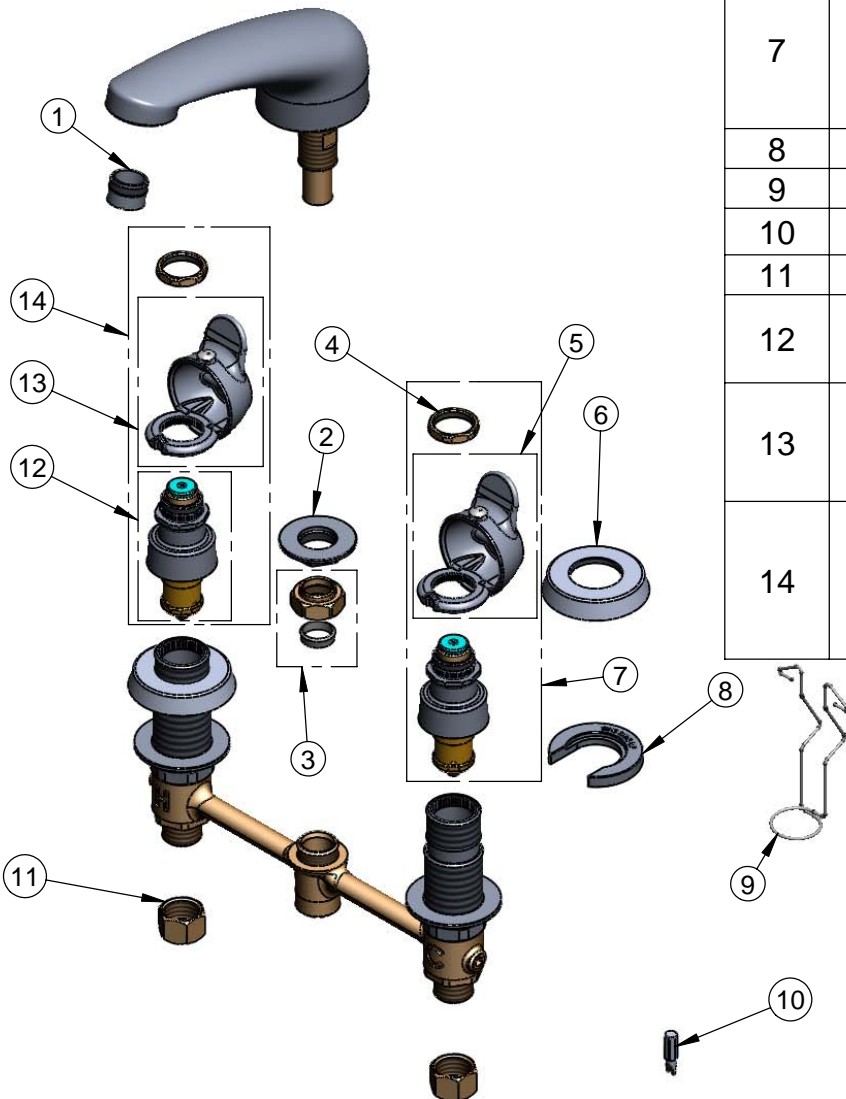
Model No.

B-2991-PA

Item No.

Travelers Rest, SC: 800-476-4103 Simi Valley, CA: 800-423-0150 Fax: 864-834-3518 www.tsbrass.com

ITEM NO.	SALES NO.	DESCRIPTION
1	B-0199-03	2.2 GPM Aerator
2	016742-45	Center Flange Nut
3	016745-45	Compression Nut & Fitting
4	PA-N	Retaining Nut
5	PA-C	Cold Pivot Action Handle Assembly w/ Retaining Nut & Spanner Bit
6	017292-45	Metering CWS Escutcheon
7	238AC-PA	Pivot Action Metering Cartridge w/ Cold Pivot Action Handle, Retaining Nut & Spanner Bit
8	016749-45	Sidebody C-Washer
9	016777-45	CWS Hanger
10	014734-45	#8 Spanner Bit
11	000958-20	Coupling Nut
12	238A-PA	Pivot Action Metering Cartridge w/ Retaining Nut
13	PA-H	Hot Pivot Action Handle Assembly w/ Retaining Nut & Spanner Bit
14	238AH-PA	Pivot Action Metering Cartridge w/ Hot Pivot Action Handle, Retaining Nut & Spanner Bit



017245-40
Installation Repair Kit
Includes #2, (2)#8, & #9

Product Specifications:

EasyInstall CWS Faucet, Pivot Action Metering Assembly,
Cast Spout w/ 2.2 GPM Aerator & 8" c/c Inlets

Drawn JRM	Checked GEF	Approved JHB
Scale: NTS		Date: 12/08/08