



T&S BRASS AND BRONZE WORKS, INC.

2 Saddleback Cove / P.O. Box 1088
Travelers Rest, SC 29690



REG. #A2601
ISO #9001

Model No.
B-2820

Item No.

Travelers Rest, SC: 800-476-4103 Simi Valley, CA: 800-423-0150 Fax: 864-834-3518 www.tsbrass.com

This Space for Architect/Engineer Approval

Job Name _____ Date _____

Model Specified _____ Quantity _____

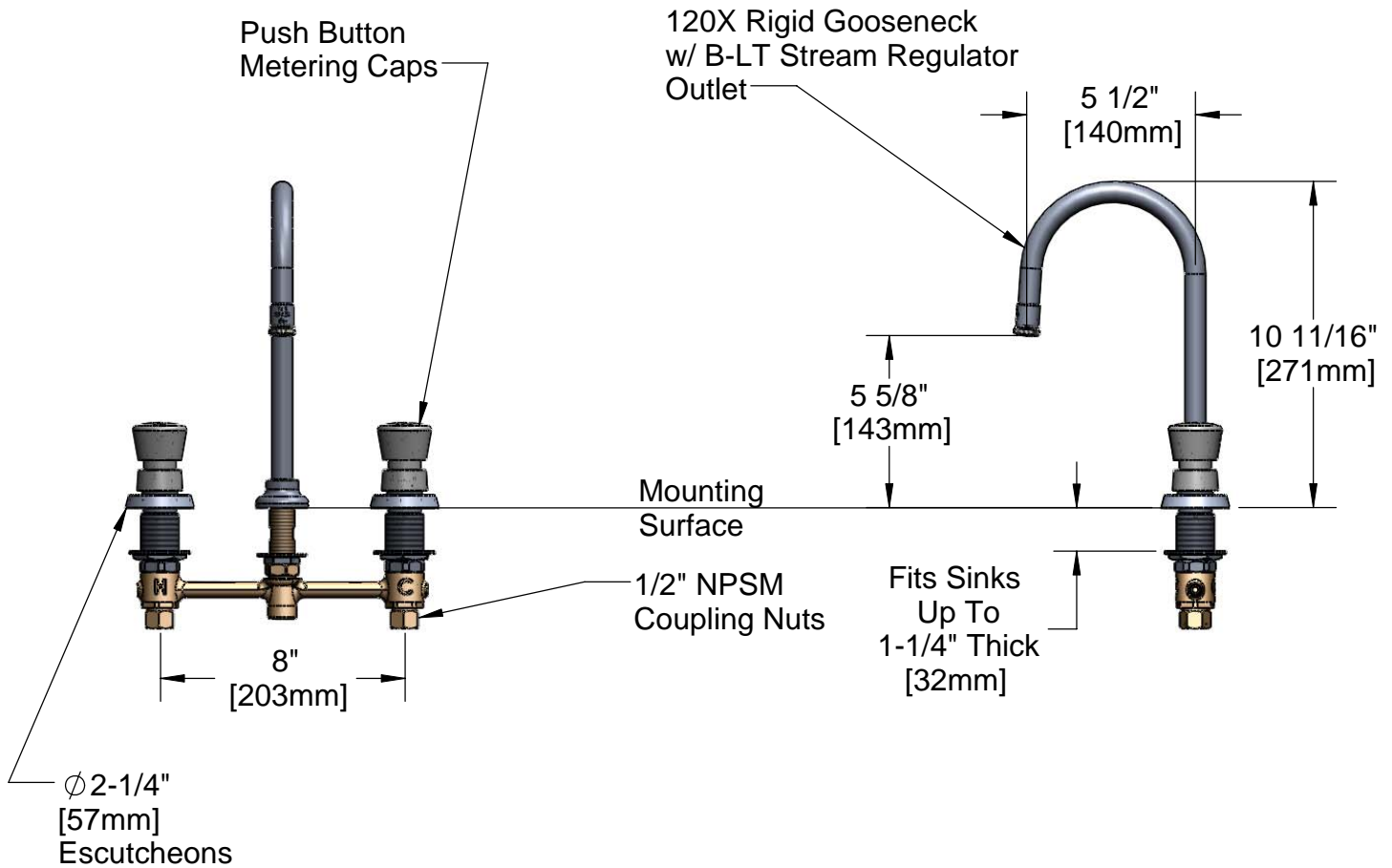
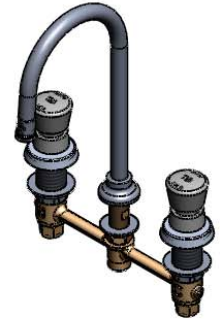
Customer/Wholesaler _____

Contractor _____

Architect/Engineer _____



ADA Compliant



Note: Rough-In Required:
 Ø 1" [25mm] for Center Shank
 Ø 1-1/2" [38mm] for Hot/Cold Side [1-1/4" [32mm] Minimum]

Product Specifications:
**EasyInstall Faucet w/ Push Button Handles,
 Metering Cartridges, 8" Inlet Centers, &
 120X Rigid Gooseneck w/ B-LT Outlet**

Drawn JRM	Checked GEF	Approved JHB
Scale: NTS		Date: 12/08/08



T&S BRASS AND BRONZE WORKS, INC.

2 Saddleback Cove / P.O. Box 1088
Travelers Rest, SC 29690



REG. #A2601
ISO #9001

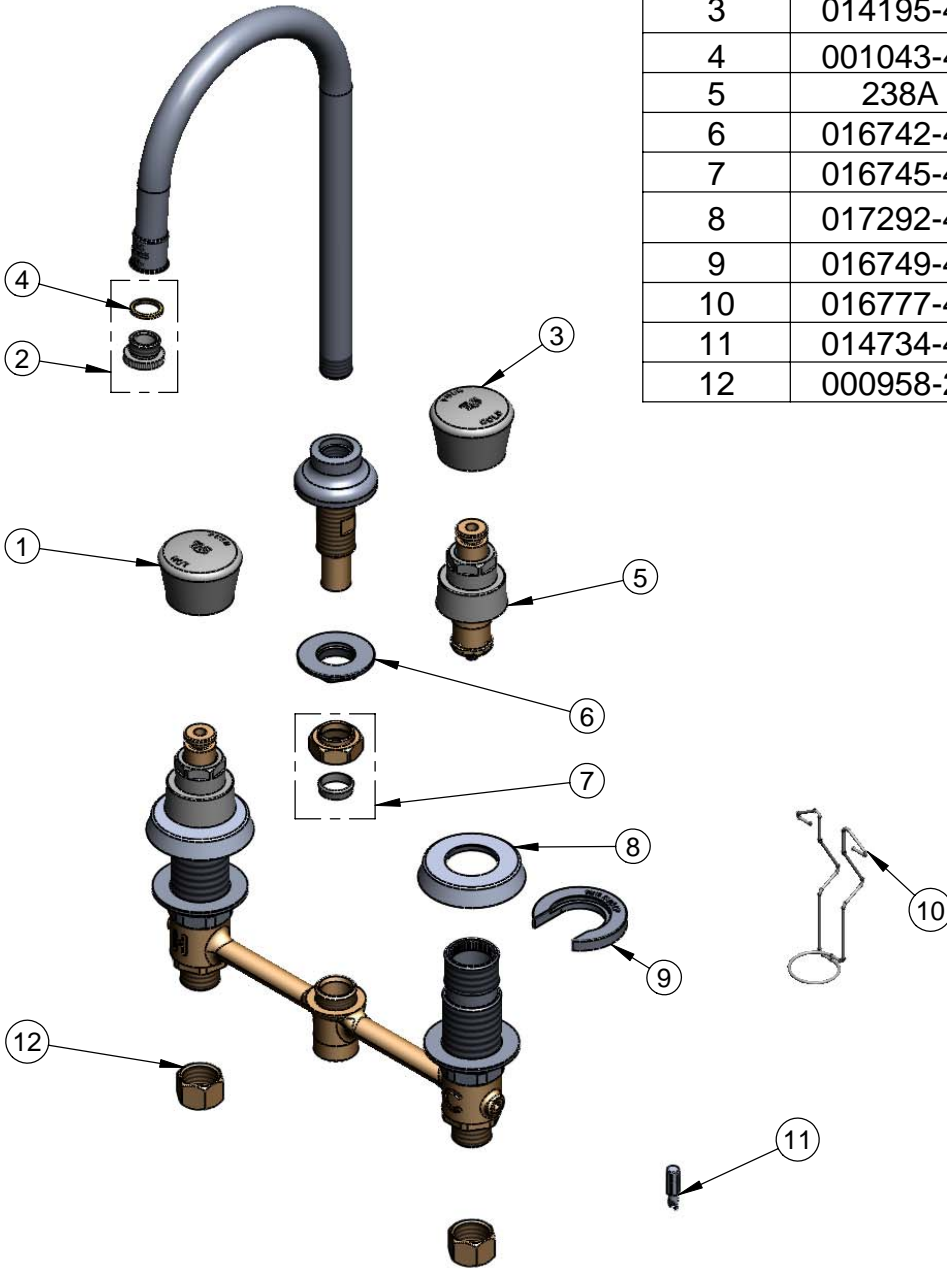
Model No.

B-2820

Item No.

Travelers Rest, SC: 800-476-4103 Simi Valley, CA: 800-423-0150 Fax: 864-834-3518 www.tsbrass.com

ITEM NO.	SALES NO.	DESCRIPTION
1	014194-40	Hot Cap Assembly
2	B-LT	Stream Regulator Outlet
3	014195-40	Cold Cap Assembly
4	001043-45	Washer
5	238A	Push Button Metering Cartridge
6	016742-45	Center Flange Nut
7	016745-45	Compression Nut & Fitting
8	017292-45	Metering CWS Escutcheon
9	016749-45	Sidebody C-Washer
10	016777-45	CWS Hanger
11	014734-45	#8 Spanner Bit
12	000958-20	Coupling Nut



017245-40
Installation Repair Kit
Includes #6, (2)#9, & #10

Product Specifications:

EasyInstall Faucet w/ Push Button Handles,
Metering Cartridges, 8" Inlet Centers, &
120X Rigid Gooseneck w/ B-LT Outlet

Drawn JRM	Checked GEF	Approved JHB
Scale: NTS		Date: 12/08/08