



T&S BRASS AND BRONZE WORKS, INC.

2 Saddleback Cove / P.O. Box 1088
Travelers Rest, SC 29690



REG. #A2601
ISO #9001

Model No.
B-2740

Item No.

Travelers Rest, SC: 800-476-4103 Simi Valley, CA: 800-423-0150 Fax: 864-834-3518 www.tsbrass.com

This Space for Architect/Engineer Approval

Job Name _____ Date _____

Model Specified _____ Quantity _____

Customer/Wholesaler _____

Contractor _____

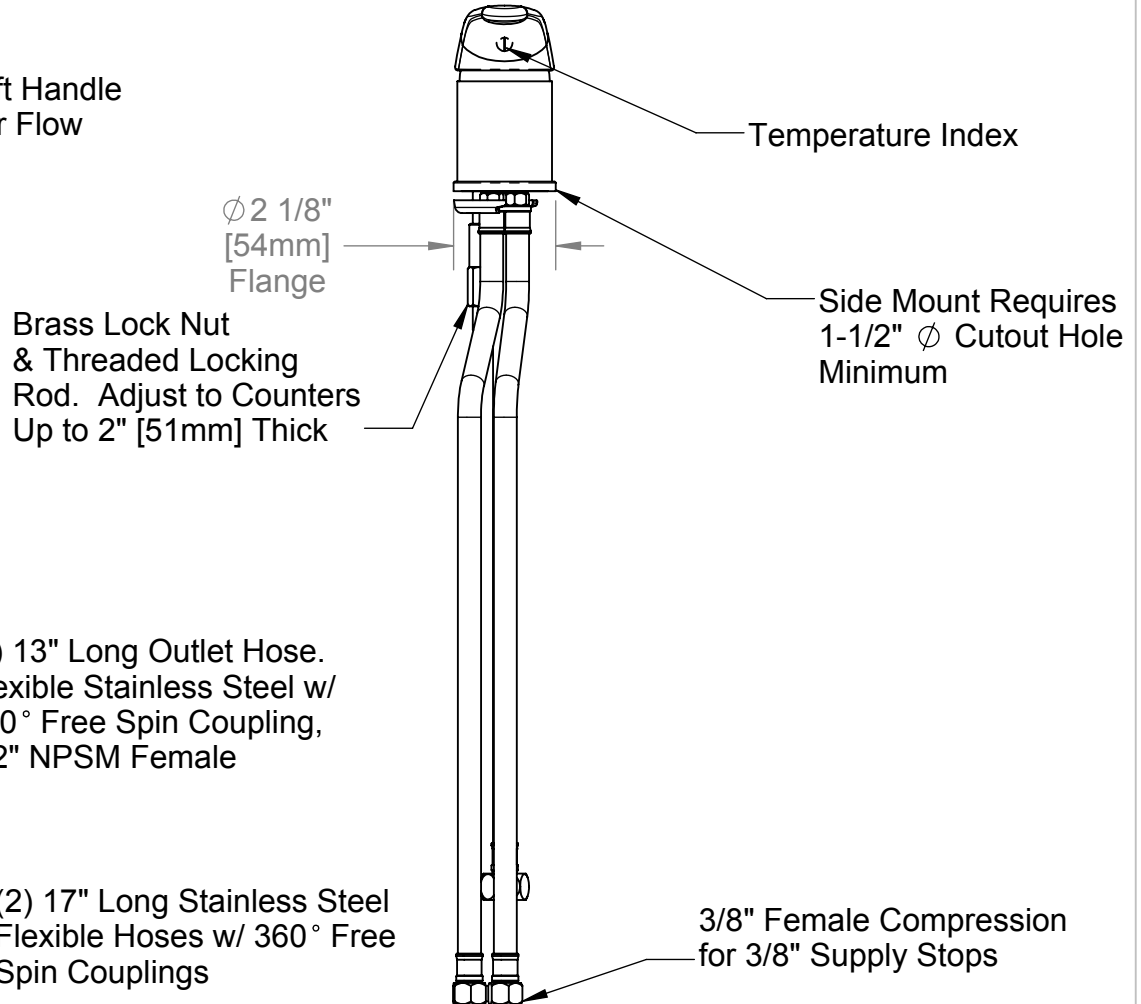
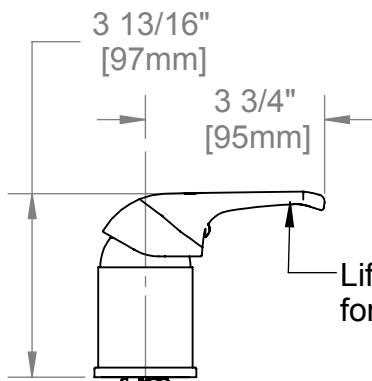
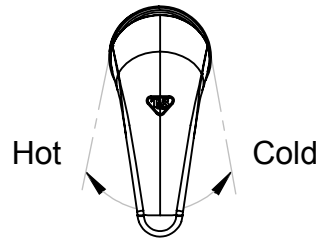
Architect/Engineer _____



ADA Compliant



Hoses Not Shown
for Clarity



Product Specifications:

**Side Mount Faucet:
Remote On/Off Control Base w/ Flexible
Stainless Steel Water Connectors, and
Ceramic Cartridge**

Drawn ARH	Checked GEF	Approved JHB
Scale: 1:4		Date: 03/03/08



T&S BRASS AND BRONZE WORKS, INC.

2 Saddleback Cove / P.O. Box 1088
Travelers Rest, SC 29690



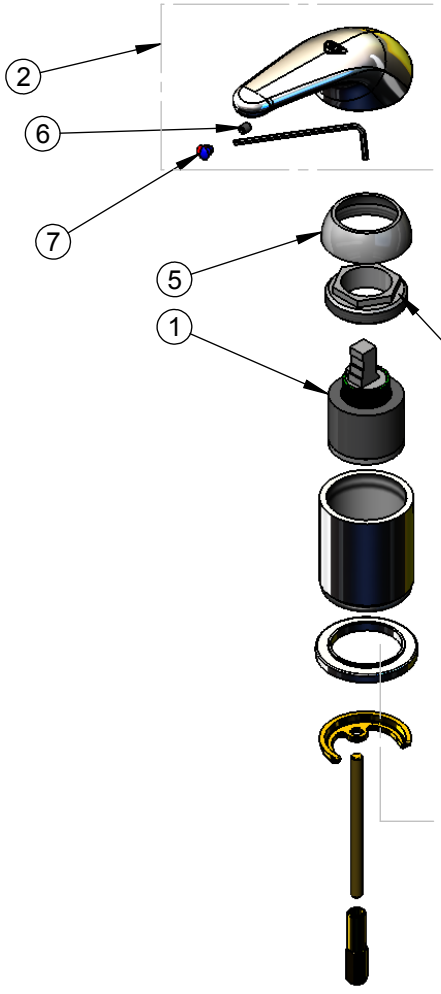
REG. #A2601
ISO #9001

Model No.

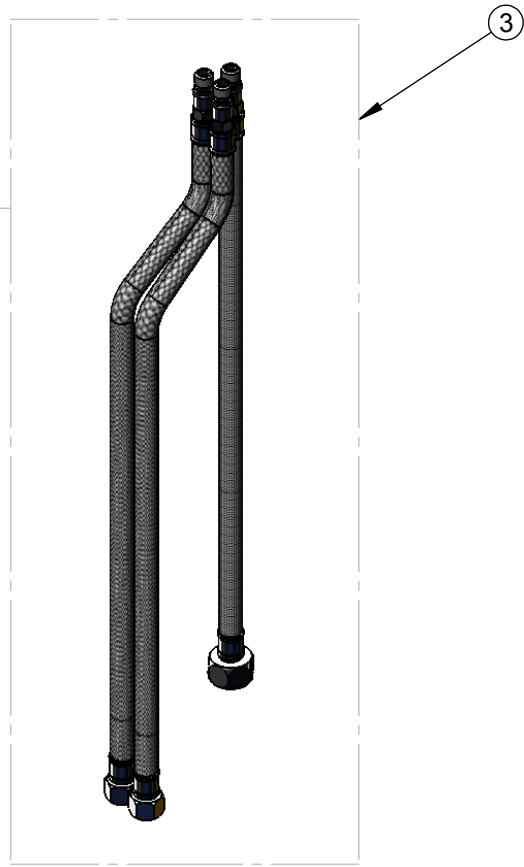
B-2740

Item No.

Travelers Rest, SC: 800-476-4103 Simi Valley, CA: 800-423-0150 Fax: 864-834-3518 www.tsbrass.com



ITEM NO.	SALES NO.	DESCRIPTION
1	013080-45	Cartridge, B-2740 Side Mount
2	013113-45	Single Lever Handle Assembly
3	013537-45	Inlet & Outlet Hoses, B-2740
4	016663-45	Locking Nut
5	016661-45	Trim Ring
6	016675-45	Set Screw
8	014173-45	Index, Temperature



Product Specifications:

Side Mount Faucet:
Remote On/Off Control Base w/ Flexible
Stainless Steel Water Connectors, and
Ceramic Cartridge

Drawn ARH	Checked GEF	Approved JHB
Scale: 1:4		Date: 03/03/08