



T&S BRASS AND BRONZE WORKS, INC.

2 Saddleback Cove / P.O. Box 1088
Travelers Rest, SC 29690



REG. #A2601
ISO #9001

Model No.
B-2711

Item No.

Travelers Rest, SC: 800-476-4103 Simi Valley, CA: 800-423-0150 Fax: 864-834-3518 www.tsbrass.com

This Space for Architect/Engineer Approval

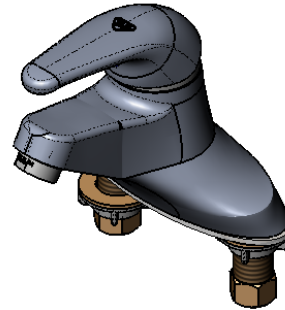
Job Name _____ Date _____

Model Specified _____ Quantity _____

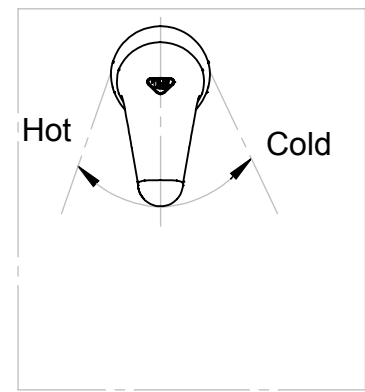
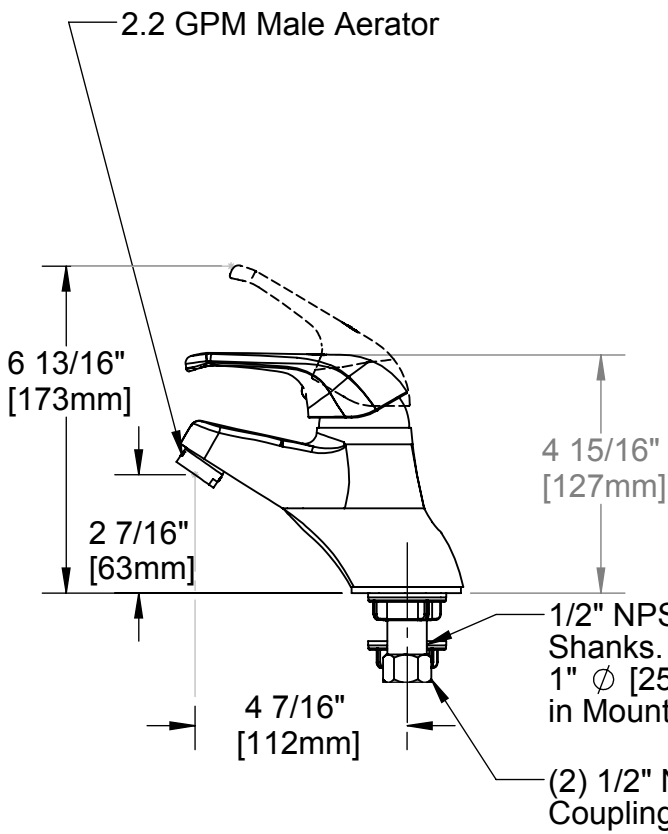
Customer/Wholesaler _____

Contractor _____

Architect/Engineer _____

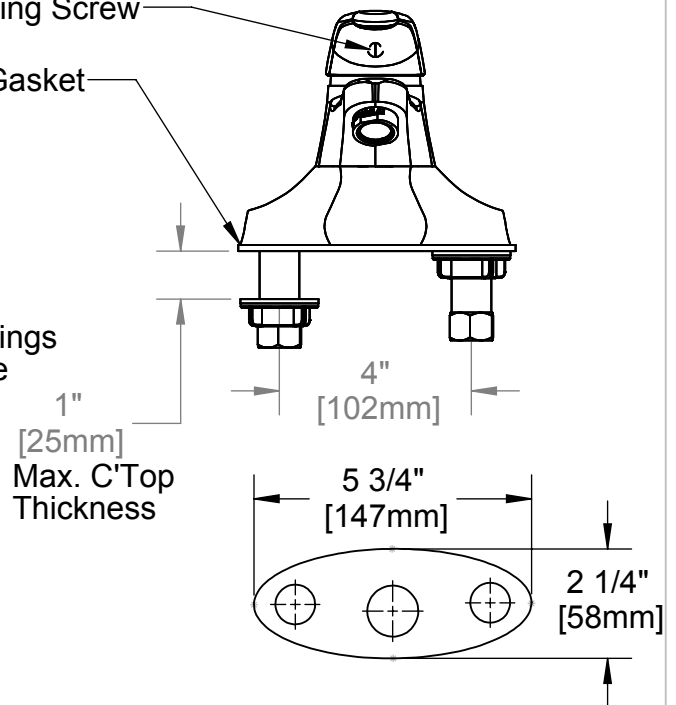


ADA Compliant



Removeable Index for Access to Handle Fastening Screw

Deck Gasket



Note: Faucet Contains Temperature Limit Adjustment. Remove Handle with Hex Key to Access and Reposition Stop, to the Left or Right of Original Position for Lower or Higher Maximum Temperature

Product Specifications:

4" Centerset Single Lever Faucet
1/2" NPSM Male Inlet Shanks,
Temperature Limit Stop & Ceramic Cartridge

Drawn ARH	Checked DHL	Approved JHB
Scale: 1:4		Date: 01/16/08



T&S BRASS AND BRONZE WORKS, INC.
 2 Saddleback Cove / P.O. Box 1088
 Travelers Rest, SC 29690



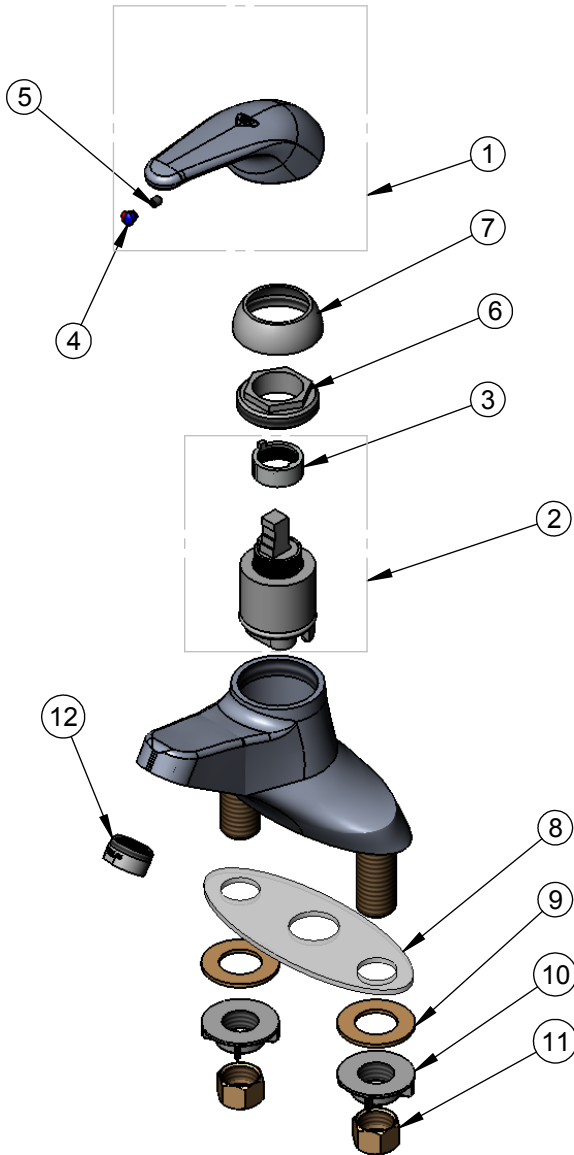
REG. #A2601
 ISO #9001

Model No.
B-2711

Item No.

Travelers Rest, SC: 800-476-4103 Simi Valley, CA: 800-423-0150 Fax: 864-834-3518 www.tsbrass.com

ITEM NO.	SALES NO.	DESCRIPTION
1	013113-45	B-2710 Handle, Single Lever
2	013111-45	B-2710 Cartridge Assembly
3	015400-45	Limit Switch
4	014173-45	Index, Temperature
5	016675-45	Set Screw
6	016663-45	Locking Nut
7	016661-45	Trim Ring
8	014167-45	Deck Gasket
9	000999-45	Brass Lock Washer
10	016673-45	Shank Nut
11	000958-20	Coupling Nut
12	016671-45	Aerator 2.2 GPM



Product Specifications:

4" Centerset Single Lever Faucet
 1/2" NPSM Male Inlet Shanks,
 Temperature Limit Stop & Ceramic Cartridge

Drawn ARH	Checked DHL	Approved JHB
Scale: 1:4		Date: 01/16/08