

**T&S BRASS AND BRONZE WORKS, INC.**  
 2 SADDLEBACK COVE / P.O. BOX 1088 / TRAVELERS REST, SC 29690  
 PHONE 800-476-4103 - FAX 864- 834-3518



Model No.

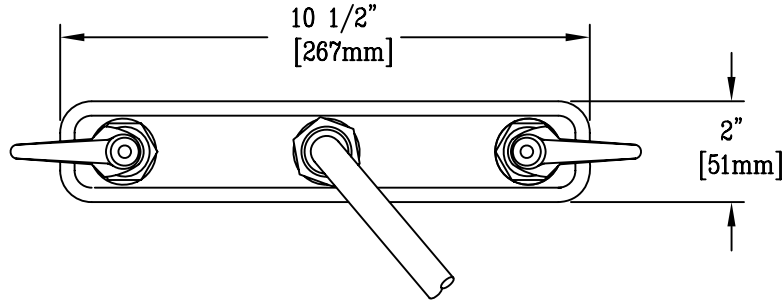
B-2481

**RELIABILITY  
 BUILT IN**

Job Name:

Architect/Engineer Approval:

Notes:



**TOP VIEW**

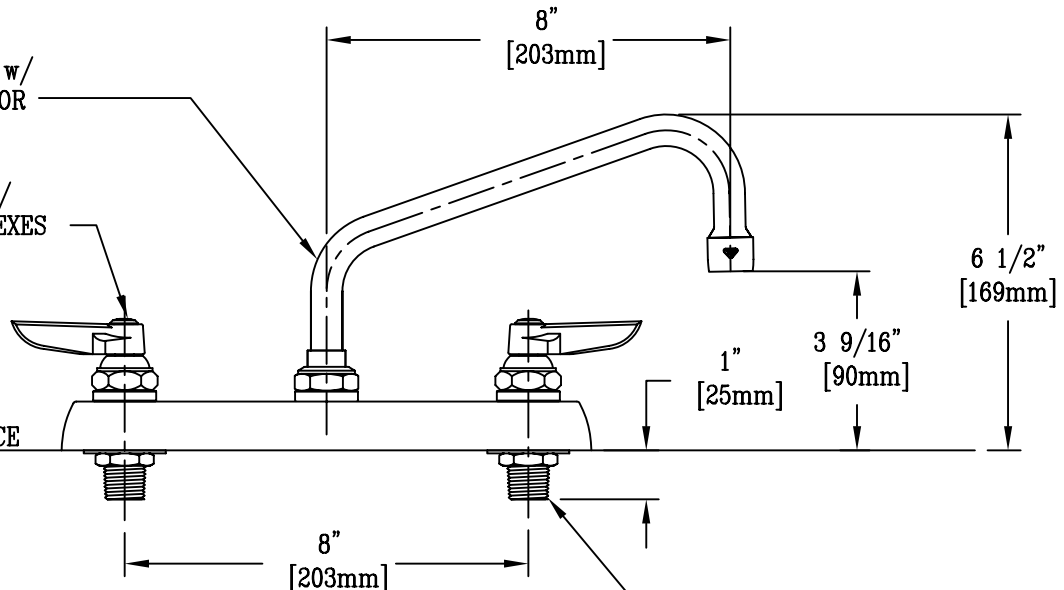


**ADA Compliant**

060X  
 8" SWING NOZZLE w/  
 B-0199-01 AERATOR

LEVER HANDLES w/  
 COLOR CODED INDEXES

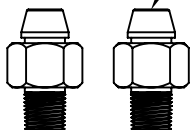
MOUNTING SURFACE



**FRONT VIEW**

1/2" NPT MALE SHANKS  
 (REQUIRES Ø1" CUTOUTS)

150A Tailpiece and Nut  
 Furnished for 1/4" NPT  
 Connection



Product Description:  
 WORKBOARD FAUCET WITH 1/2" NPT MALE SHANKS,  
 8" INLET CENTERS, 8" SWING NOZZLE,  
 B-0199-01 AERATOR & LEVER HANDLES

Drawn:

KJG

Checked

JRM

Scale:

1 : 4

Approved

JHB

Date:

12/19/07