

**T&S BRASS AND BRONZE WORKS, INC.**  
 2 SADDLEBACK COVE / P.O. BOX 1088 / TRAVELERS REST, SC 29690  
 PHONE 800-476-4103 - FAX 864- 834-3518



Model No.

B-2393

**RELIABILITY  
BUILT IN**

Job Name:

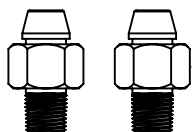
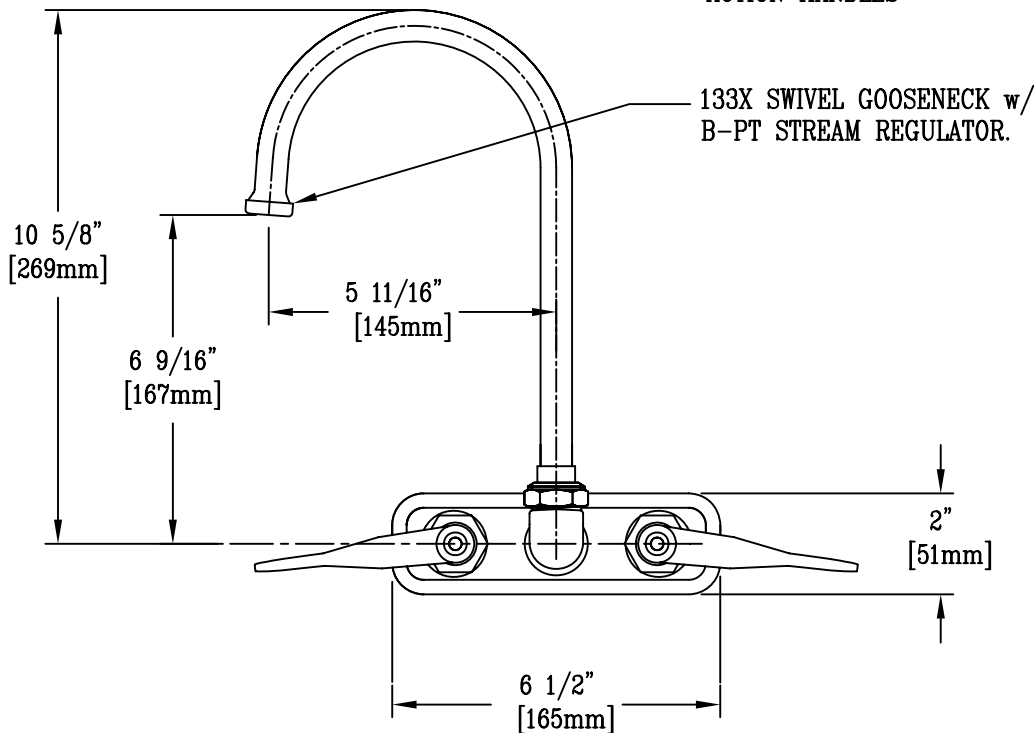
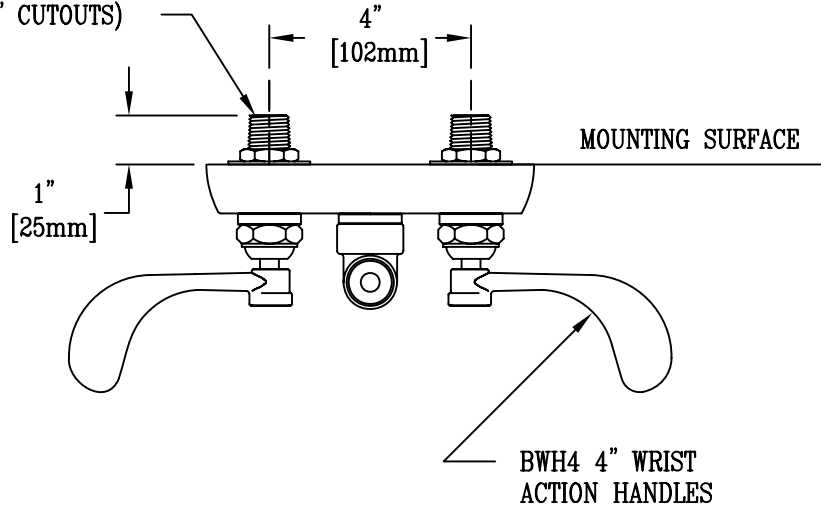
Architect/Engineer Approval:

Notes:



**ADA Compliant**

1/2" NPT MALE SHANKS  
(REQUIRES Ø1" CUTOUTS)



150A Tailpiece and Nut  
Furnished for 1/4" NPT  
Connection

B-1100-K ELBOW KIT SOLD  
SEPARATELY. CONTAINS (2)  
1/2" NPT MALE 90° ELBOWS

Product Description:  
 WALL MOUNT WORKBOARD FAUCET WITH 1/2" NPT  
 MALE SHANKS, 4" INLET CENTERS, 133X SWIVEL  
 GOOSENECK & BWH4 WRIST ACTION HANDLES

Drawn:

KJG

Checked

JRM

Scale:

1 : 4

Approved

JHB

Date:

12/19/07