

**T&S BRASS AND BRONZE WORKS, INC.**  
 2 SADDLEBACK COVE / P.O. BOX 1088 / TRAVELERS REST, SC 29690  
 PHONE 800-476-4103 - FAX 864- 834-3518



Model No.

B-1145

**RELIABILITY  
BUILT IN**

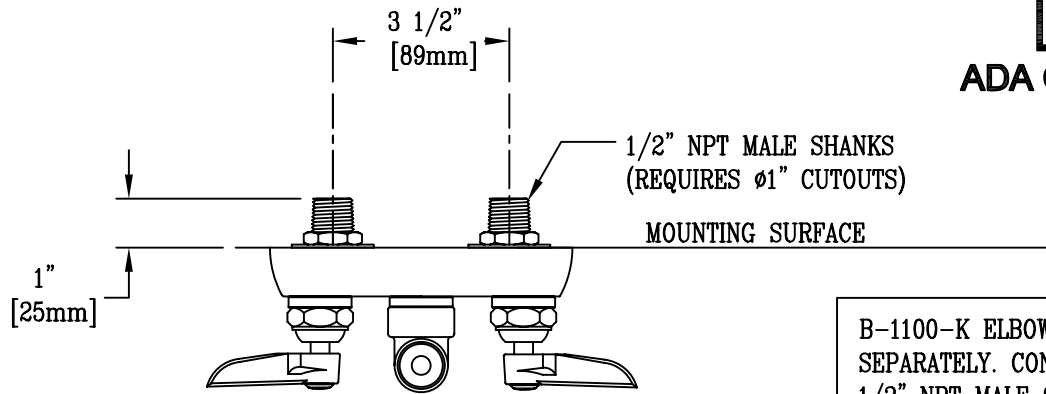
Job Name:

Architect/Engineer Approval:

Notes:



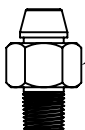
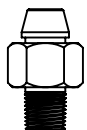
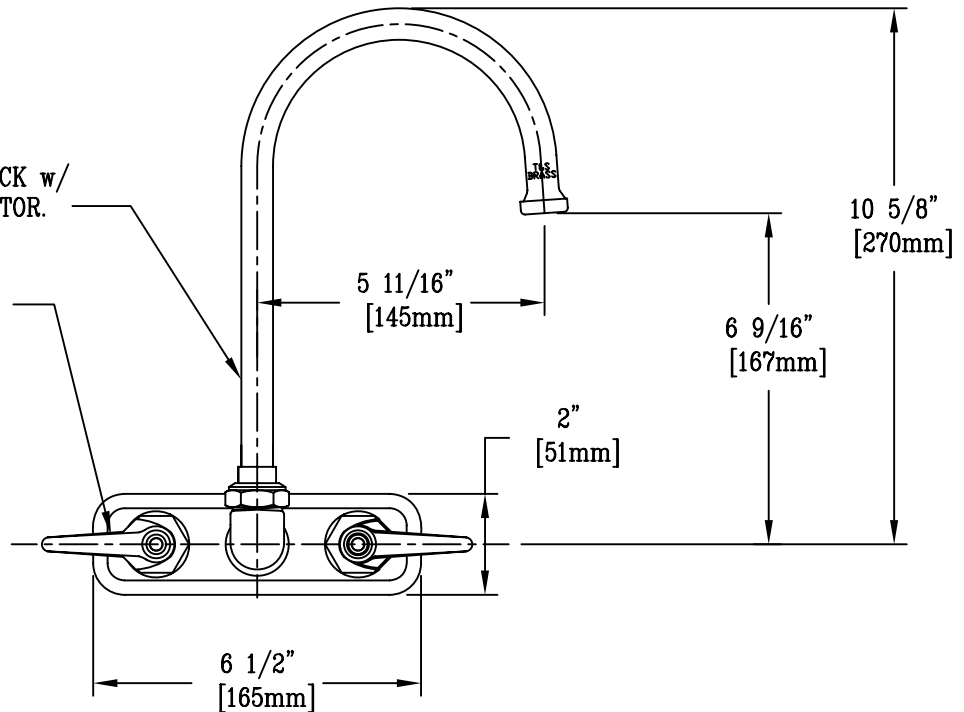
**ADA Compliant**



B-1100-K ELBOW KIT SOLD SEPARATELY. CONTAINS (2) 1/2" NPT MALE 90° ELBOWS

133X SWIVEL GOOSENECK w/  
B-PT STREAM REGULATOR.

LEVER HANDLES w/  
COLOR CODED INDEXES



150A Tailpiece and Nut  
Furnished for 1/4" NPT  
Connection

Product Description:  
 WALL MOUNT WORKBOARD FAUCET WITH 1/2" NPT  
 MALE SHANKS, 3 1/2" INLET CENTERS, 133X SWIVEL  
 GOOSENECK & LEVER HANDLES

Drawn:

KJG

Checked

JRM

Scale:

1 : 4

Approved

JHB

Date:

12/19/07