

T&S BRASS AND BRONZE WORKS, INC.
 2 SADDLEBACK COVE / P.O. BOX 1088 / TRAVELERS REST, SC 29690
 PHONE 800-476-4103 - FAX 864- 834-3518



Model No.

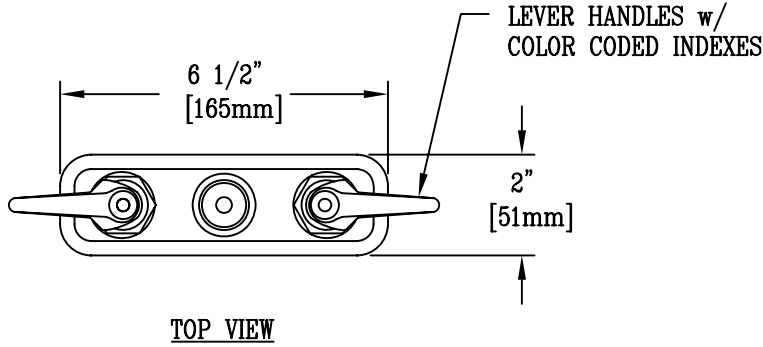
B-1130

**RELIABILITY
BUILT IN**

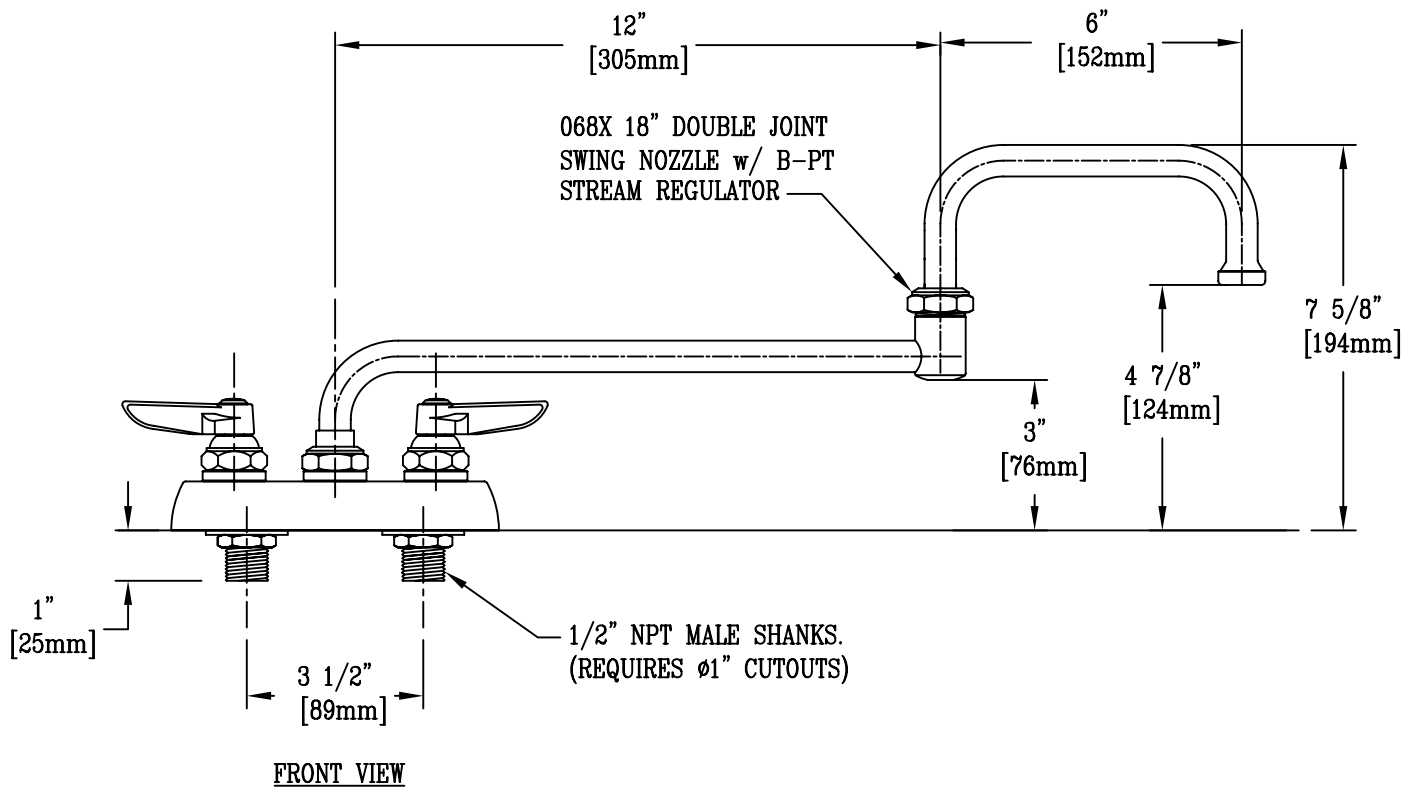
Job Name:

Architect/Engineer Approval:

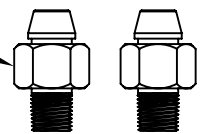
Notes:



ADA Compliant



150A Tailpiece and Nut
Furnished for 1/4" NPT
Connection



Product Description:
 WORKBOARD FAUCET WITH 1/2" NPT MALE SHANKS,
 3 1/2" INLET CENTERS, 068X 18" DOUBLE JOINT
 SWING NOZZLE, B-PT STREAM REGULATOR & LEVER HANDLES

Drawn: KJG	Checked JRM	Scale: 1 : 4
Approved JHB	Date: 12/19/07	