



T&S BRASS AND BRONZE WORKS, INC.
 2 SADDLEBACK COVE / P.O. BOX 1088 / TRAVELERS REST, SC 29690
 PHONE 800-476-4103 - FAX 864- 834-3518



Model No.

B-1116

**RELIABILITY
 BUILT IN**

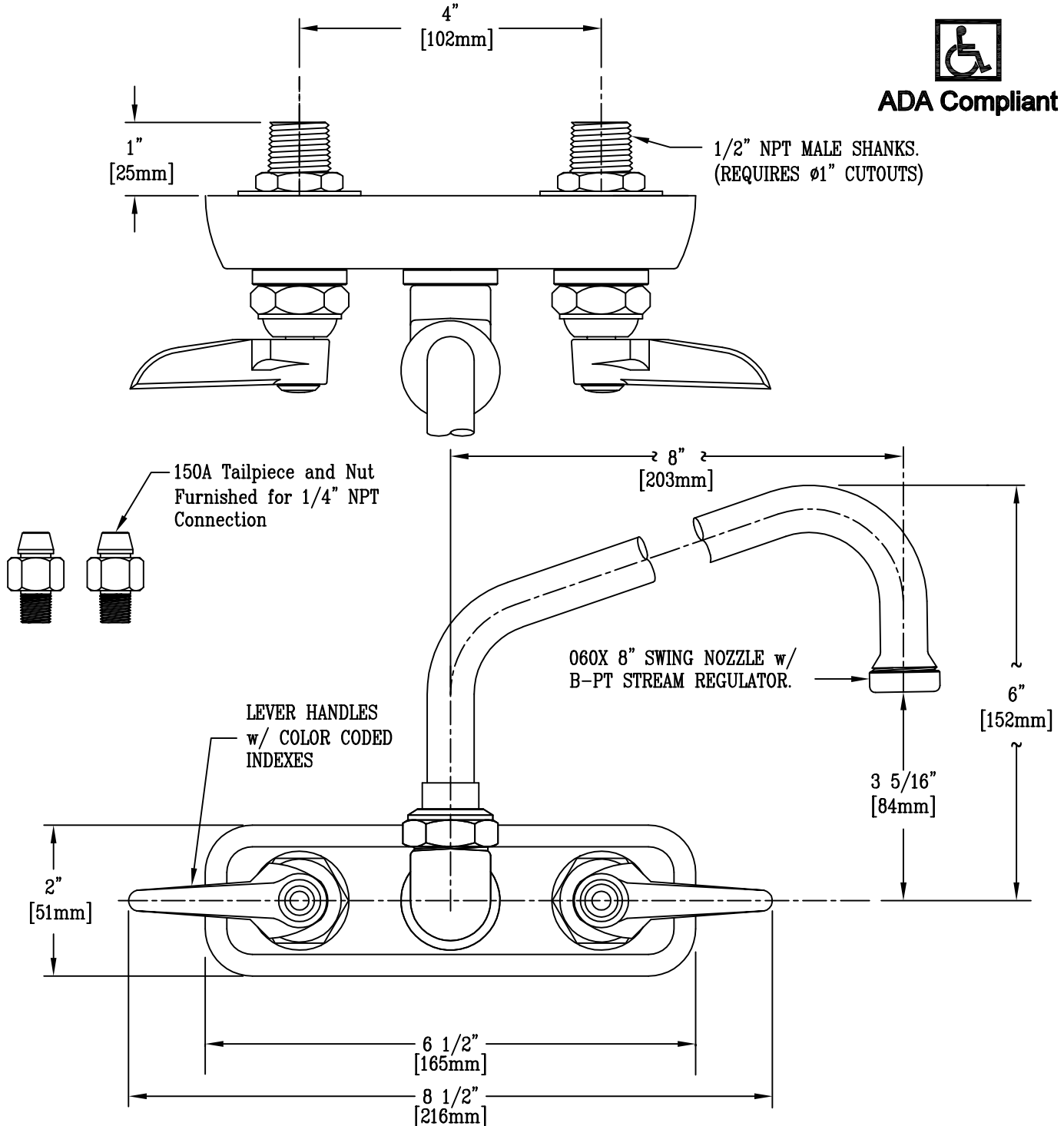
Job Name:

Architect/Engineer Approval:

Notes:



ADA Compliant



Product Description:
 WALL MOUNT WORKBOARD FAUCET WITH 1/2" NPT MALE SHANKS, 4" INLET CENTERS, 060X 8" SWING NOZZLE, B-PT STREAM REGULATOR & LEVER HANDLES

Drawn:

KJG

Approved

JHB

Checked

JRM

Scale:

1 : 2

Date:

12/19/07