

T&S BRASS AND BRONZE WORKS, INC.
 2 SADDLEBACK COVE / P.O. BOX 1088 / TRAVELERS REST, SC 29690
 PHONE 800-476-4103 - FAX 864- 834-3518



Model No.

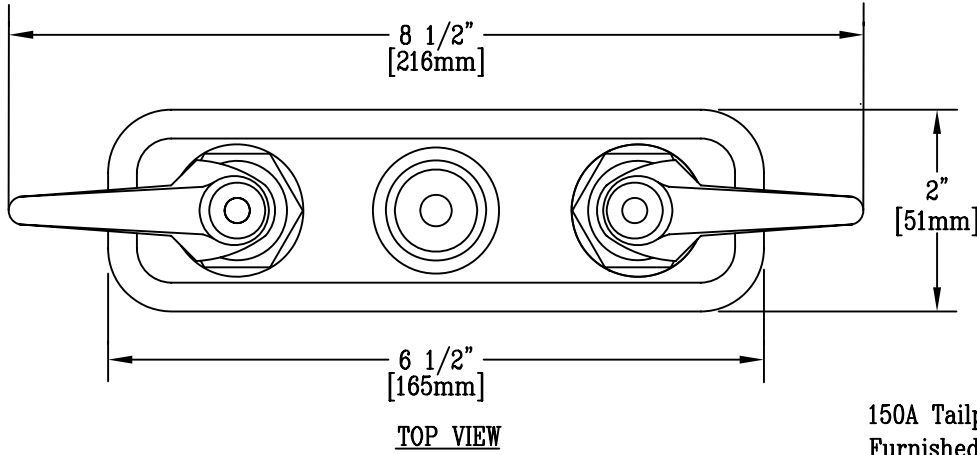
B-1112

**RELIABILITY
BUILT IN**

Job Name:

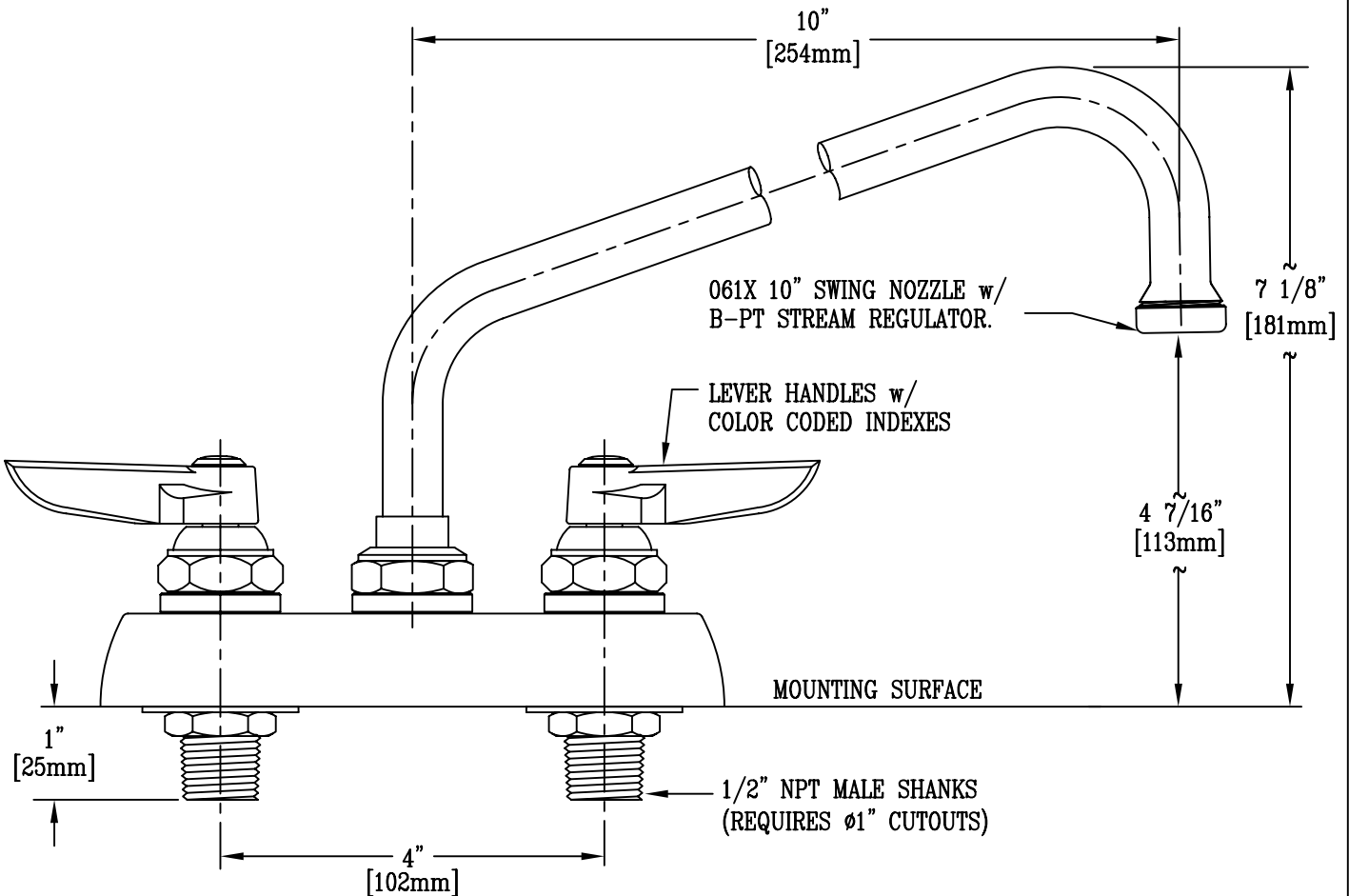
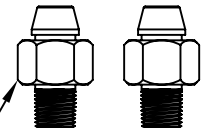
Architect/Engineer Approval:

Notes:



ADA Compliant

150A Tailpiece and Nut
 Furnished for 1/4" NPT
 Connection



Product Description:
 WORKBOARD FAUCET WITH 1/2" NPT MALE SHANKS,
 4" INLET CENTERS, 061X 10" SWING NOZZLE,
 B-PT STREAM REGULATOR & LEVER HANDLES

Drawn:
KJG
Approved
JHB

Checked
JRM
Date:
12/19/07

Scale:
1 : 2