



T&S BRASS AND BRONZE WORKS, INC.
 2 SADDLEBACK COVE / P.O. BOX 1088 / TRAVELERS REST, SC 29690
 PHONE 800-476-4103 - FAX 864- 834-3518



Model No.

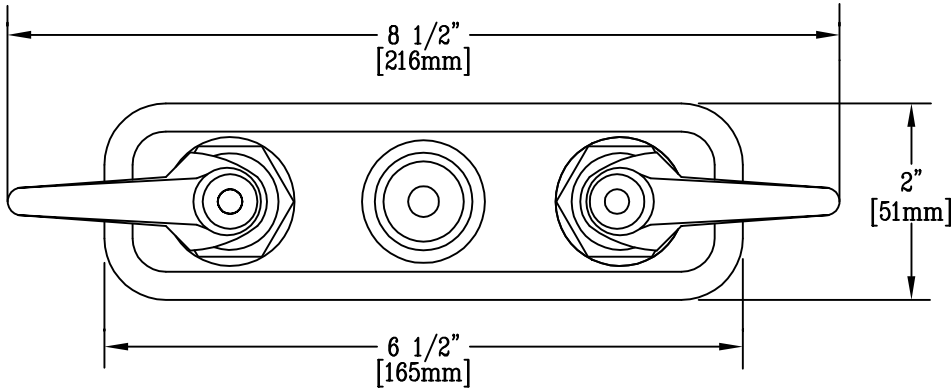
B-1111

**RELIABILITY
 BUILT IN**

Job Name:

Architect/Engineer Approval:

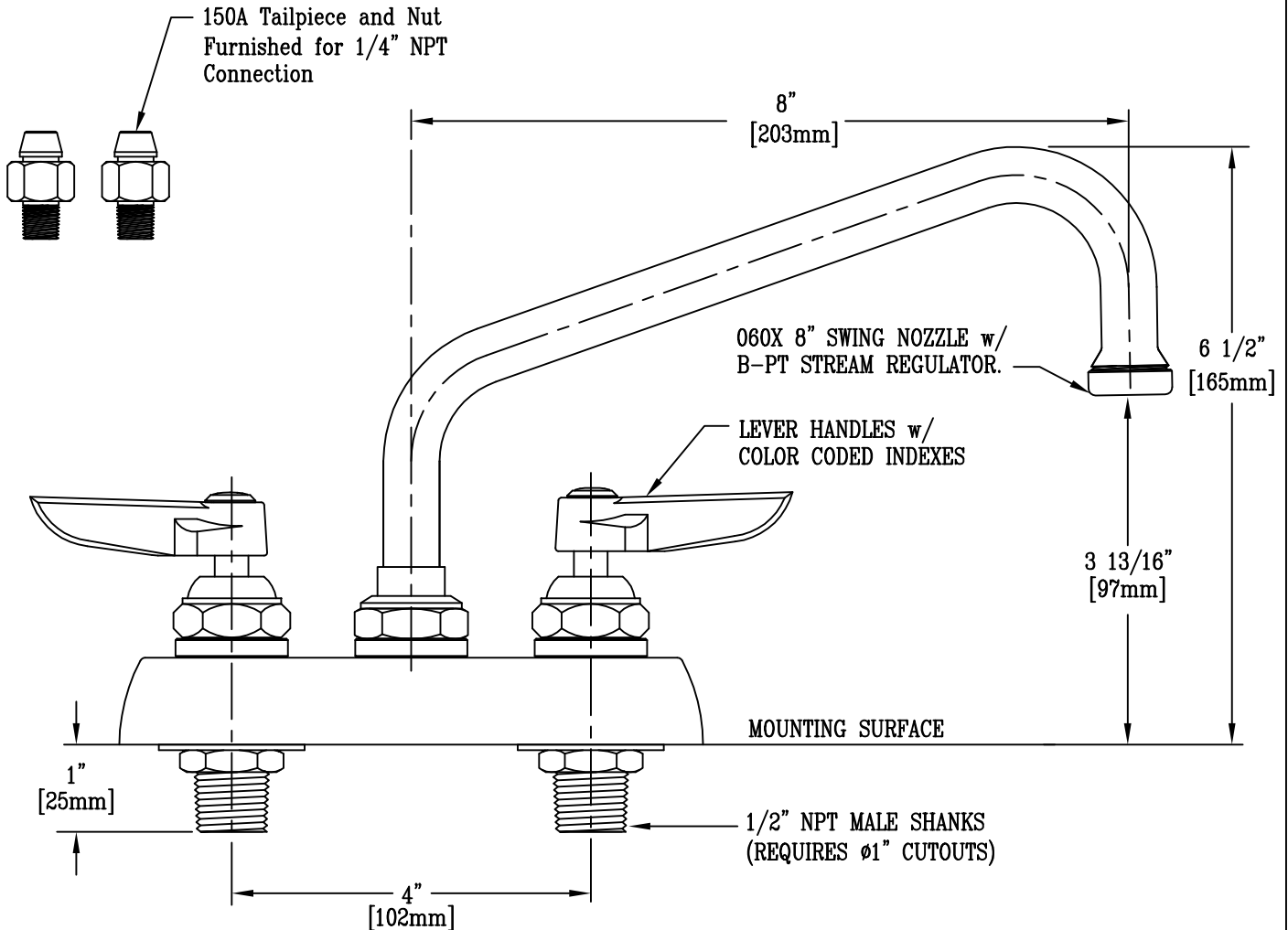
Notes:



TOP VIEW



ADA Compliant



Product Description:
 WORKBOARD FAUCET WITH 1/2" NPT MALE SHANKS,
 4" INLET CENTERS, 060X 8" SWING NOZZLE,
 B-PT STREAM REGULATOR, LEVER HANDLES

Drawn:

KJG

Checked:

JRM

Scale:

1 : 2

Approved:

JHB

Date:

12/19/07