



**T&S BRASS AND BRONZE WORKS, INC.**  
 2 SADDLEBACK COVE / P.O. BOX 1088 / TRAVELERS REST, SC 29690  
 PHONE 800-476-4103 - FAX 864- 834-3518



Model No.

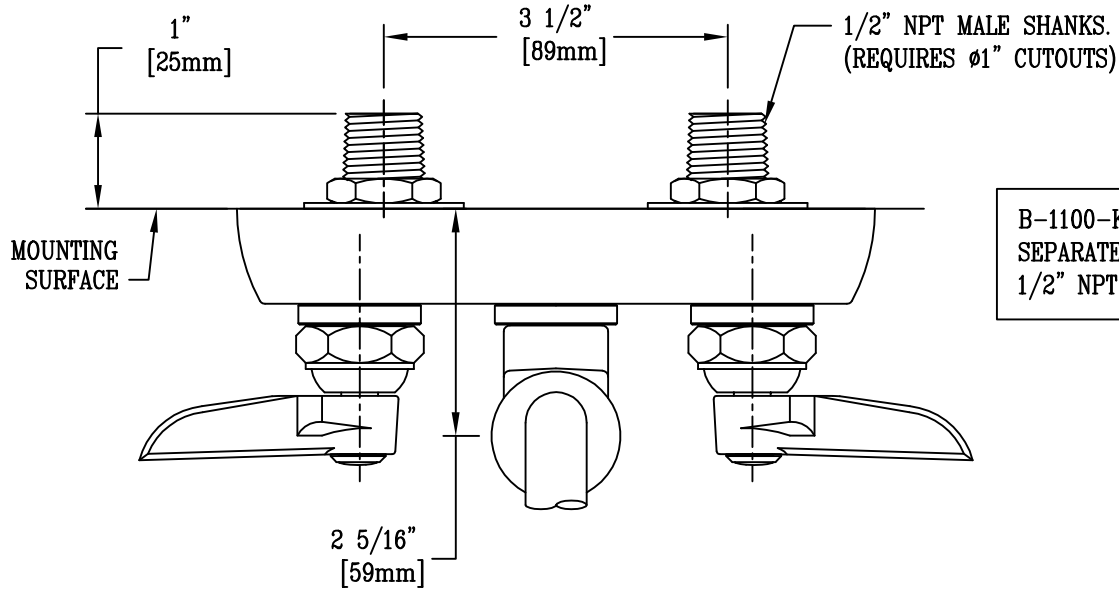
B-1108

**RELIABILITY  
 BUILT IN**

Job Name:

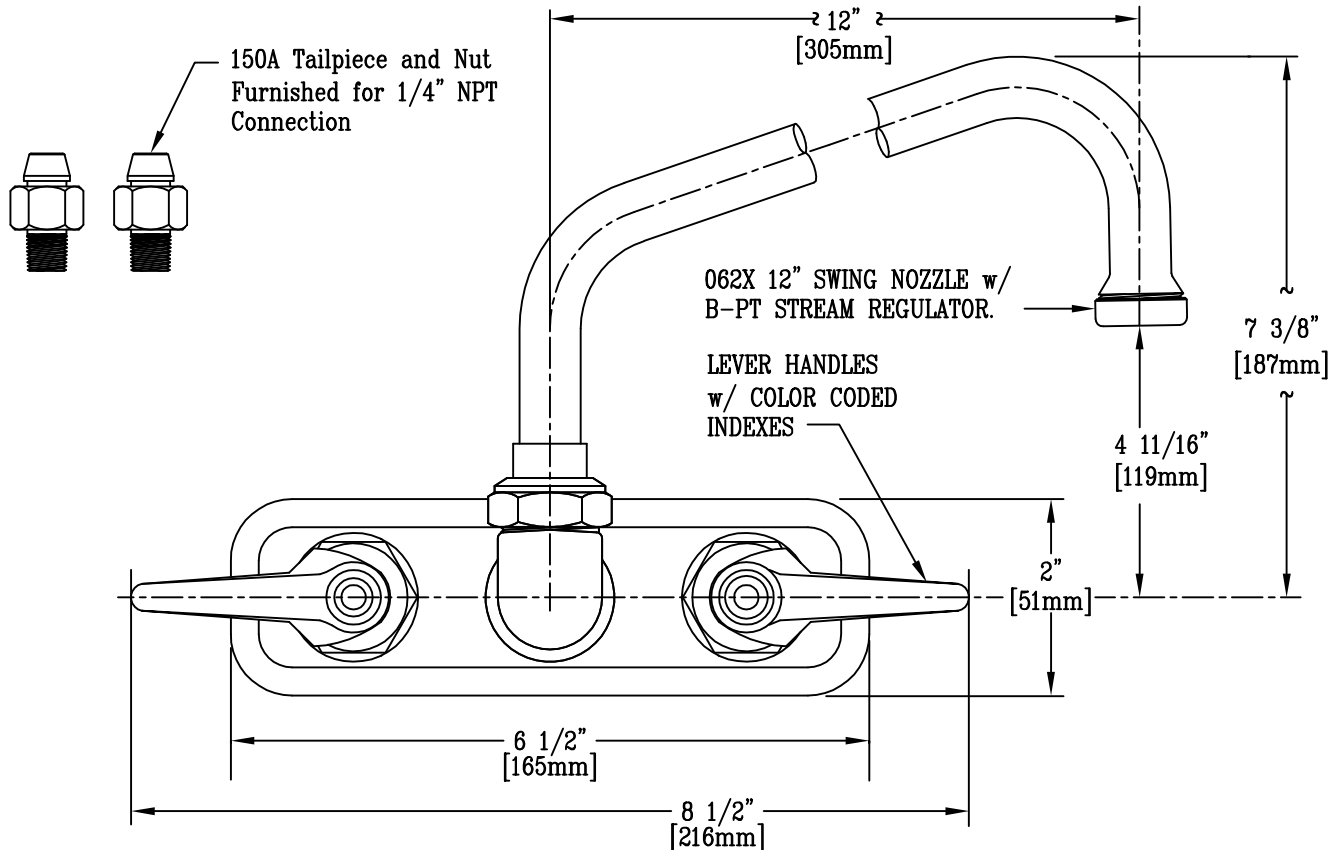
Architect/Engineer Approval:

Notes:



**ADA Compliant**

B-1100-K ELBOW KIT SOLD SEPARATELY. CONTAINS (2) 1/2" NPT MALE 90° ELBOWS



Product Description:  
 WALL MOUNT WORKBOARD FAUCET WITH 1/2" NPT MALE SHANKS, 3 1/2" INLET CENTERS, 062X 12" SWING NOZZLE, B-PT STREAM REGULATOR & LEVER HANDLES

Drawn:

KJG

Checked:

JRM

Scale:

1 : 2

Approved:

JHB

Date:

12/19/07