



# T&S BRASS AND BRONZE WORKS, INC.

2 Saddleback Cove / P.O. Box 1088  
Travelers Rest, SC 29690



REG. #A2601  
ISO #9001

Model No.

**B-0808**

Item No.

Travelers Rest, SC: 800-476-4103 Simi Valley, CA: 800-423-0150 Fax: 864-834-3518 www.tsbrass.com

This Space for Architect/Engineer Approval

Job Name \_\_\_\_\_ Date \_\_\_\_\_

Model Specified \_\_\_\_\_ Quantity \_\_\_\_\_

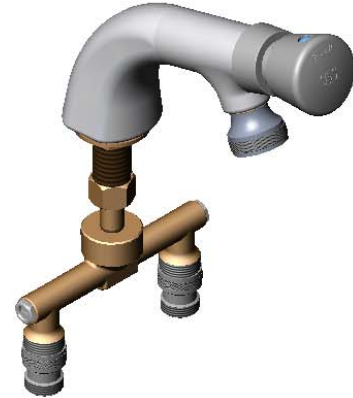
Customer/Wholesaler \_\_\_\_\_

Contractor \_\_\_\_\_

Architect/Engineer \_\_\_\_\_



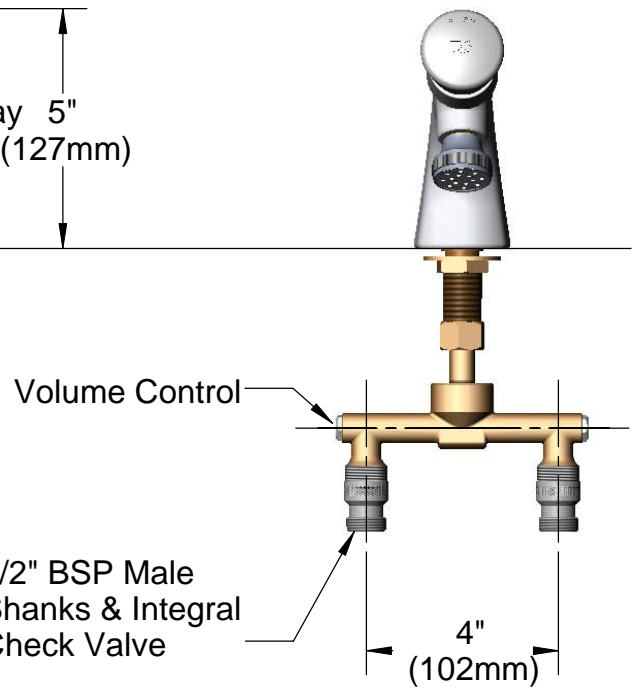
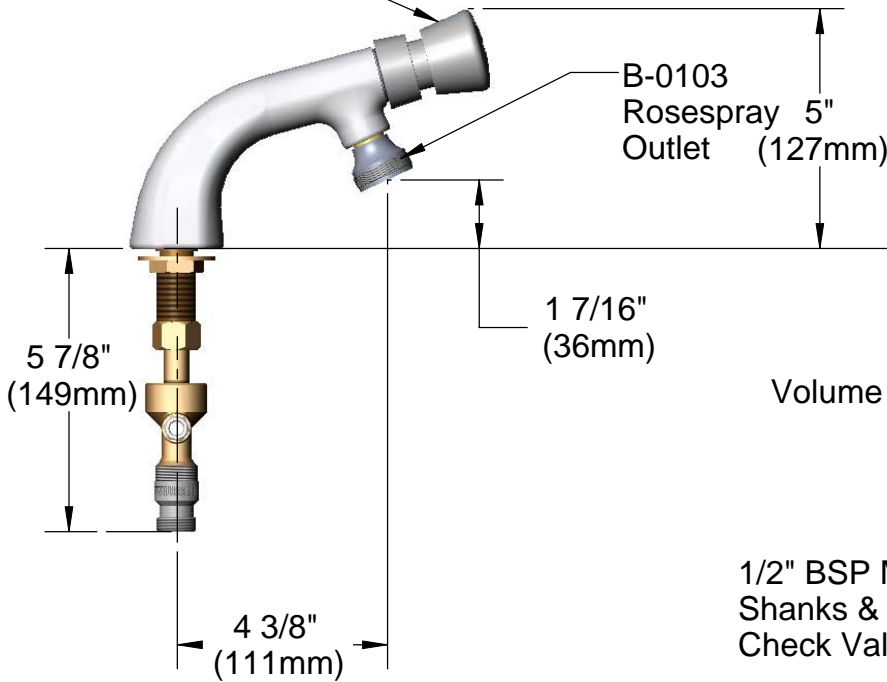
**ADA Compliant**



Furnished w/ 014734-45 Spanner Bit to Access Metering. (Metering Adjustment Requires 3/32" Hex Key)



Push Button  
Metering  
Cartridge  
w/ Push Button  
Cap.



Rough-In:  $\phi$  1" Hole

Product Specifications:

Single Temperature Deck Mount Faucet w/  
Undercounter Spreader Assembly, Check Valves,  
Push Button Metering Cartridge, Rosespray Outlet

Drawn <b>DMH</b>	Checked <b>GEF</b>	Approved <b>JHB</b>
Scale: <b>1:4</b>		Date: <b>10/03/08</b>



**T&S BRASS AND BRONZE WORKS, INC.**

2 Saddleback Cove / P.O. Box 1088  
Travelers Rest, SC 29690



REG. #A2601  
ISO #9001

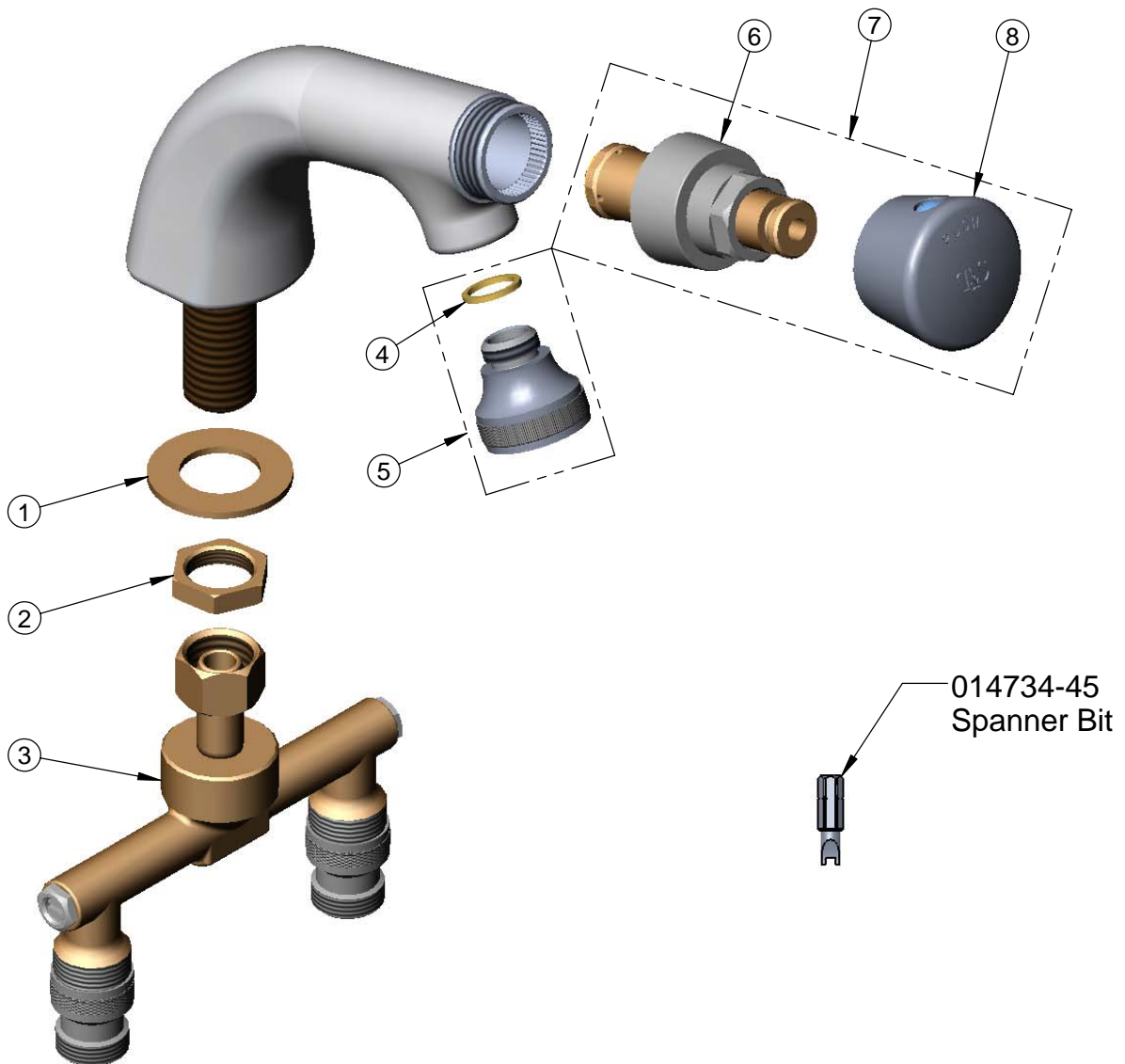
Model No.

**B-0808**

Item No.

Travelers Rest, SC: 800-476-4103 Simi Valley, CA: 800-423-0150 Fax: 864-834-3518 www.tsbrass.com

ITEM NO.	SALES NO.	DESCRIPTION
1	000999-45	Brass Lock Washer
2	002954-45	Shank Lock Nut
3	002899-40	B-0173 Spreader
4	001043-45	Washer
5	B-0103	Spray Head Assembly
6	238A	Push Button Metering Cartridge
7	238AB	Push Button Metering Cartridge w/ Push Button Cap
8	014193-40	Blank Push Cap Asm



Product Specifications:

Single Temperature Deck Mount Faucet w/  
Undercounter Spreader Assembly, Check Valves,  
Push Button Metering Cartridge, Rosespray Outlet

Drawn <b>DMH</b>	Checked <b>GEF</b>	Approved <b>JHB</b>
Scale: <b>1:2</b>		Date: <b>10/03/08</b>