



T&S BRASS AND BRONZE WORKS, INC.

2 Saddleback Cove / P.O. Box 1088
Travelers Rest, SC 29690



REG. #A2601
ISO #9001

Model No.
B-0807

Item No.

Travelers Rest, SC: 800-476-4103 Simi Valley, CA: 800-423-0150 Fax: 864-834-3518 www.tsbrass.com

This Space for Architect/Engineer Approval

Job Name _____ Date _____

Model Specified _____ Quantity _____

Customer/Wholesaler _____

Contractor _____


Architect/Engineer _____




ADA Compliant



Furnished w/ 014734-45 Spanner Bit to Access Metering. (Metering Adjustment Requires 3/32" Hex Key)



Push Button
Metering
Cartridge
w/ Push Button
Cap.



2.2 GPM Aerator

5"
(127mm)

5 15/16"
(149mm)

1 9/16"
(39mm)

Volume Control

1/2" BSP Male
Shanks & Integral
Check Valve

4"
(102mm)

Rough-in: ϕ 1" Hole

Product Specifications:

Single Temperature Deck Mount Faucet w/ Undercounter Spreader Assembly, Check Valves, Push Button Metering Cartridge, 2.2 GPM Aerator

Drawn
DMH

Checked
GEF

Approved
JHB

Scale:

1:4

Date:

07/09/08



T&S BRASS AND BRONZE WORKS, INC.

2 Saddleback Cove / P.O. Box 1088
Travelers Rest, SC 29690



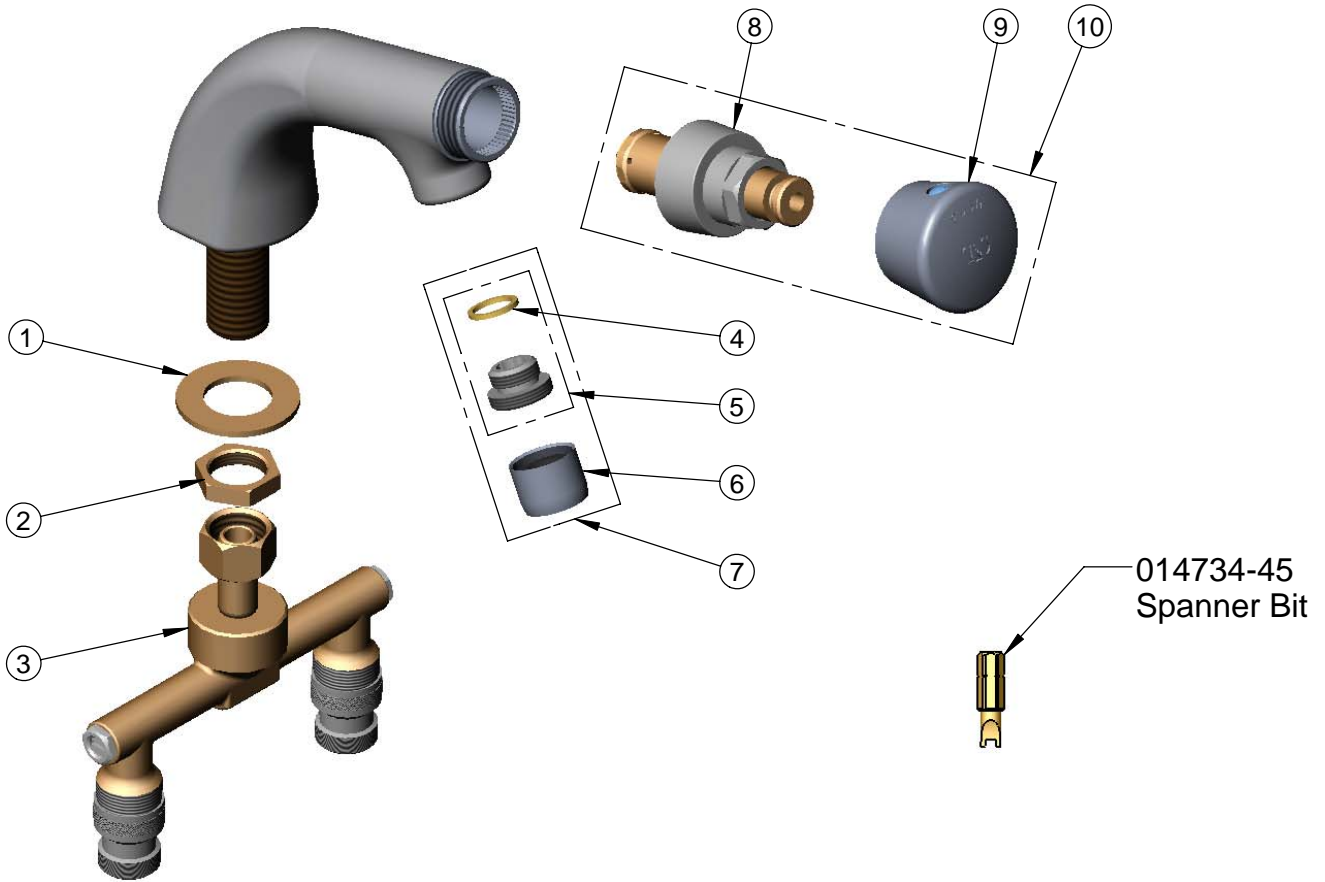
REG. #A2601
ISO #9001

Model No.
B-0807

Item No.

Travelers Rest, SC: 800-476-4103 Simi Valley, CA: 800-423-0150 Fax: 864-834-3518 www.tsbrass.com

ITEM NO.	SALES NO.	DESCRIPTION
1	000999-45	Brass Lock Washer
2	002954-45	Shank Lock Nut
3	002899-40	4" Spreader Unit
4	001043-45	Washer
5	044A	3/8" to Aerator Adapter
6	B-0199-01	2.2 GPM Aerator, 55/64-27 Female
7	B-0199-02	2.2 GPM Aerator, 3/8" NPSM
8	238A	Push Button Metering Cartridge
9	014193-40	Blank Push Cap Asm
10	238AB	Push Button Metering Cartridge w/ Push Button Cap



Product Specifications:

Single Temperature Deck Mount Faucet w/ Undercounter Spreader Assembly, Check Valves, Push Button Metering Cartridge, 2.2 GPM Aerator

Drawn DMH	Checked GEF	Approved JHB
Scale: NTS		Date: 07/09/08