



T&S BRASS AND BRONZE WORKS, INC.

2 Saddleback Cove / P.O. Box 1088
Travelers Rest, SC 29690



REG. #A2601
ISO #9001

Model No.

B-0800

Item No.

Travelers Rest, SC: 800-476-4103 Simi Valley, CA: 800-423-0150 Fax: 864-834-3518 www.tsbrass.com

This Space for Architect/Engineer Approval

Job Name _____ Date _____

Model Specified _____ Quantity _____

Customer/Wholesaler _____

Contractor _____

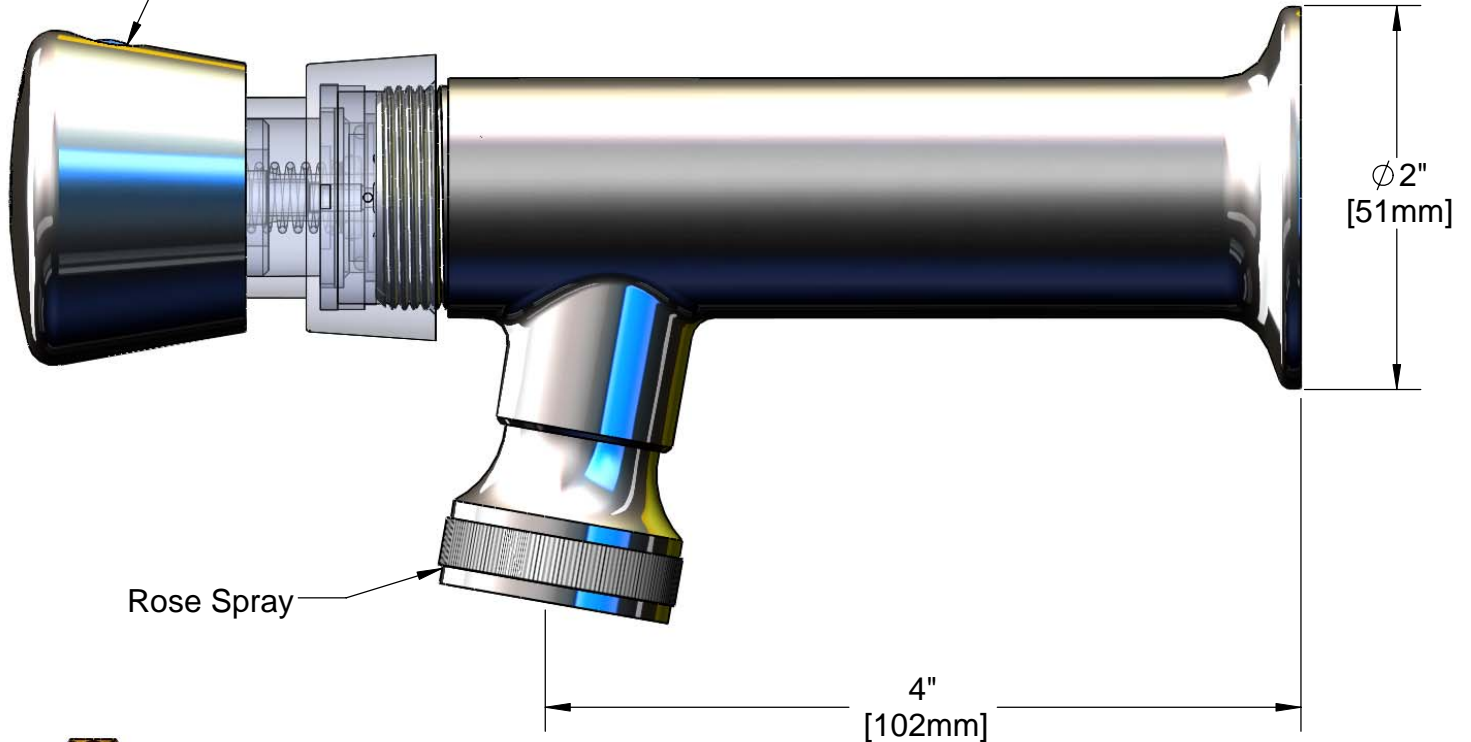
Architect/Engineer _____



ADA Compliant



Adjustable Flow and Vandal Resistant
Push Button Metering Cartridge



Rose Spray



Furnished w/
Spanner Bit

Product Specifications:

**Wash Sink Metering Faucet w/ 1/2" NPT Female Inlet
& Adjustable Flow**

Drawn
DMH

Checked
GEF

Approved
JHB

Scale:

1:2

Date:

07/09/08



T&S BRASS AND BRONZE WORKS, INC.

2 Saddleback Cove / P.O. Box 1088
Travelers Rest, SC 29690



REG. #A2601
ISO #9001

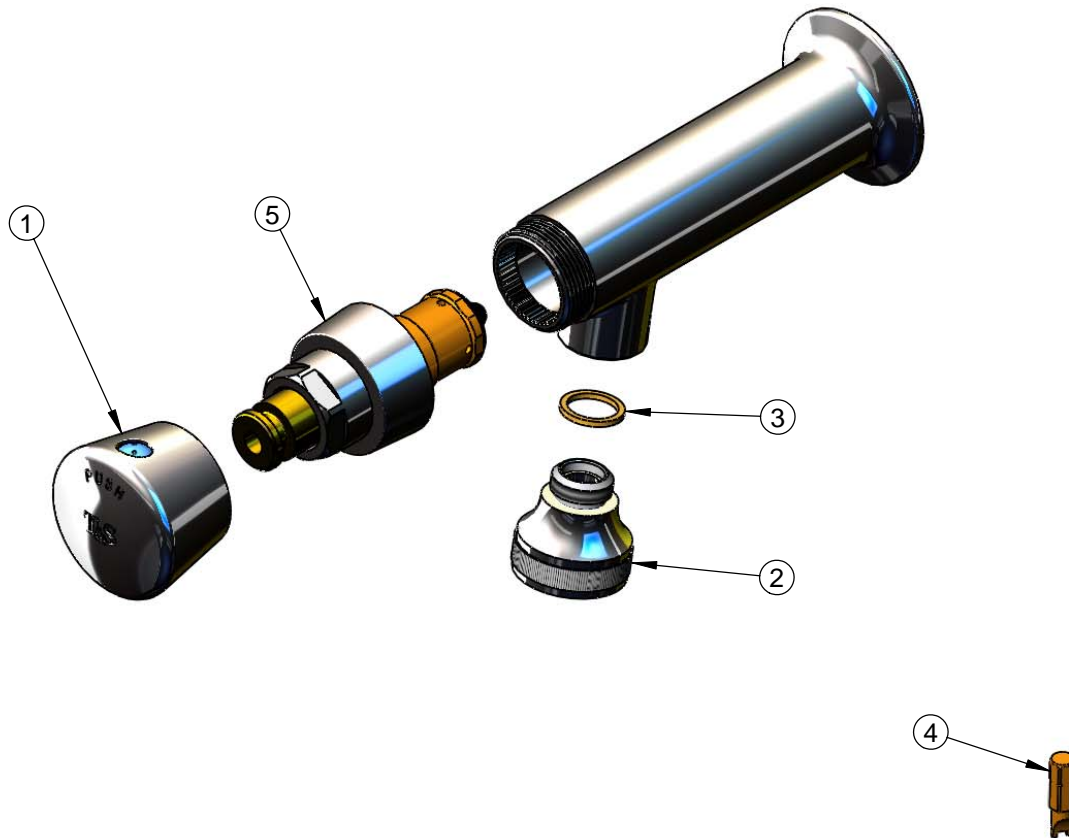
Model No.

B-0800

Item No.

Travelers Rest, SC: 800-476-4103 Simi Valley, CA: 800-423-0150 Fax: 864-834-3518 www.tsbrass.com

ITEM NO.	SALES NO.	DESCRIPTION
1	014193-40	Push Button Cap Asm.
2	B-0103	Spray Head Assembly
3	001043-45	Washer
4	014734-45	#8 Spanner Bit
5	238A	Push Button Metering Ctg.



Product Specifications:

Wash Sink Metering Faucet w/ 1/2" NPT Female Inlet & Adjustable Flow

Drawn DMH	Checked GEF	Approved JHB
Scale: NTS		Date: 07/09/08