



**T&S BRASS AND BRONZE WORKS, INC.**  
 2 SADDLEBACK COVE / P.O. BOX 1088 / TRAVELERS REST, SC 29690  
 PHONE 800-476-4103 FAX 864-834-3518



Model No.

B-0720

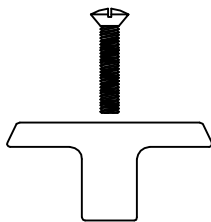
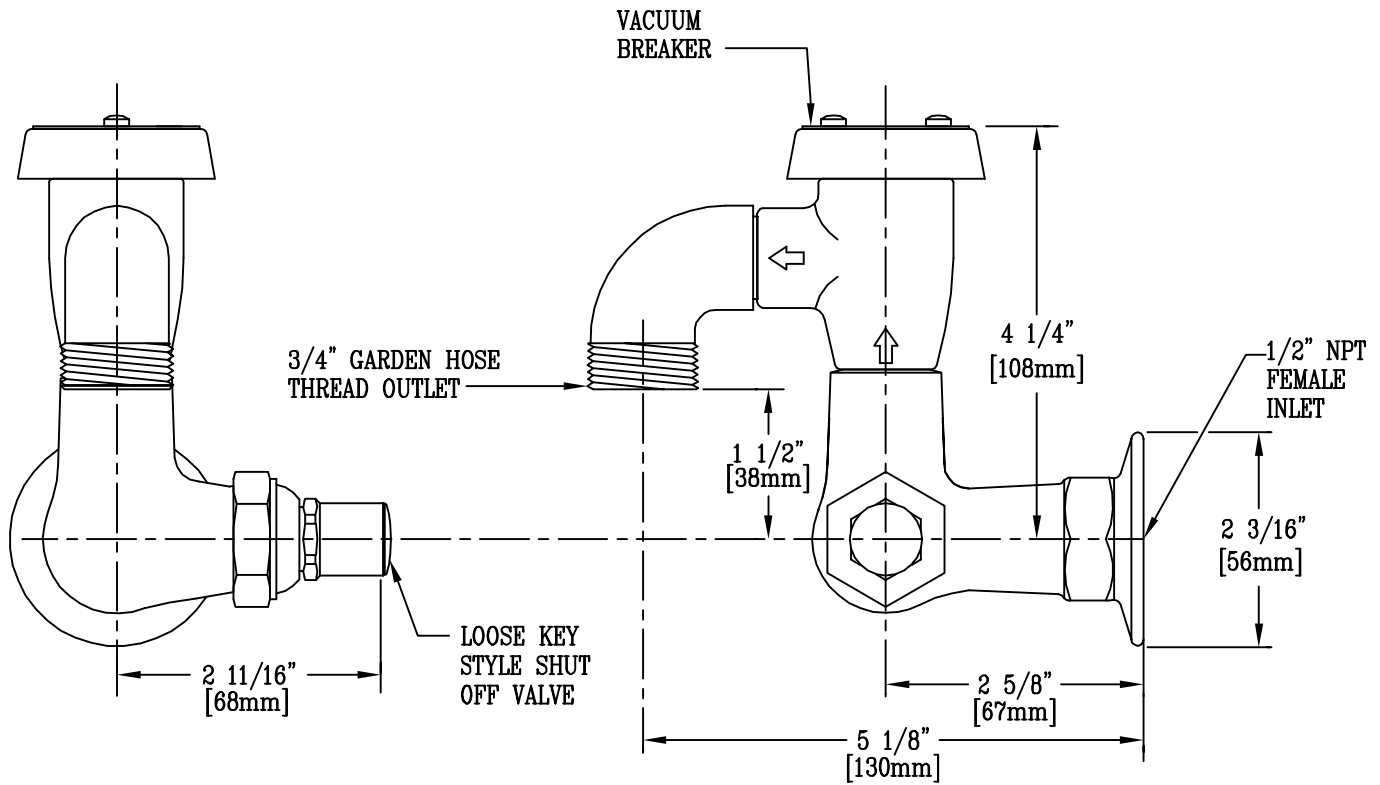
Item No.:

REG.#A2601  
ISO #9002

Job Name:

Architect/Engineer Approval:

Notes:



LOOSE KEY  
& SCREW  
SHIPPED LOOSELY

Product Description:

SILL FAUCET WITH VACUUM BREAKER, 3/4"  
HOSE OUTLET, POLISHED CHROME FINISH,  
& 1/2" NPT FEMALE FLANGED INLET

Drawn:

TEH

Checked

LEL

Scale:

6" = 1'

Approved

MVW

Date:

01/02/03