



**T&S BRASS AND BRONZE WORKS, INC.**

2 Saddleback Cove / P.O. Box 1088  
Travelers Rest, SC 29690



REG. #A2601  
ISO #9001

Model No.  
**B-0707**

Item No.

Travelers Rest, SC: 800-476-4103 Simi Valley, CA: 800-423-0150 Fax: 864-834-3518 www.tsbrass.com

This Space for Architect/Engineer Approval

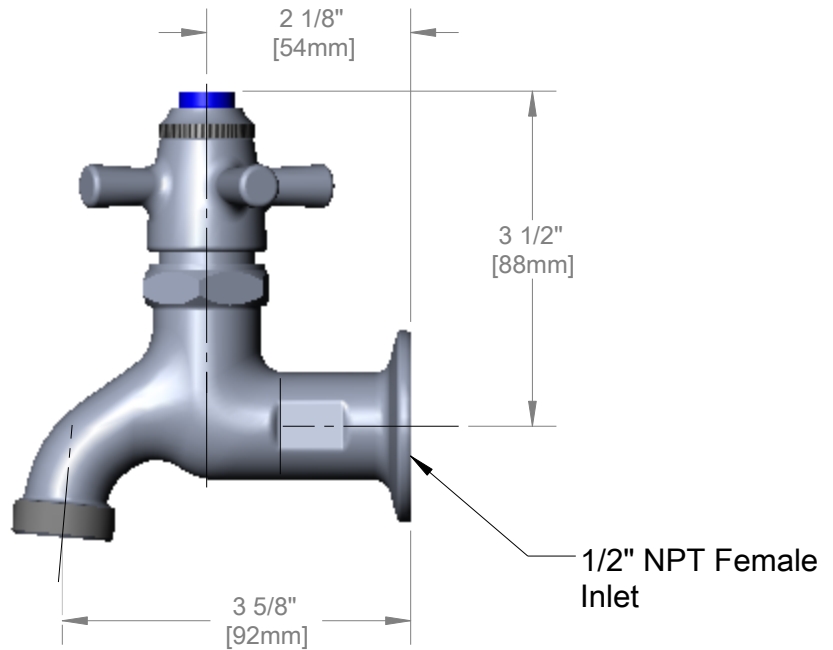
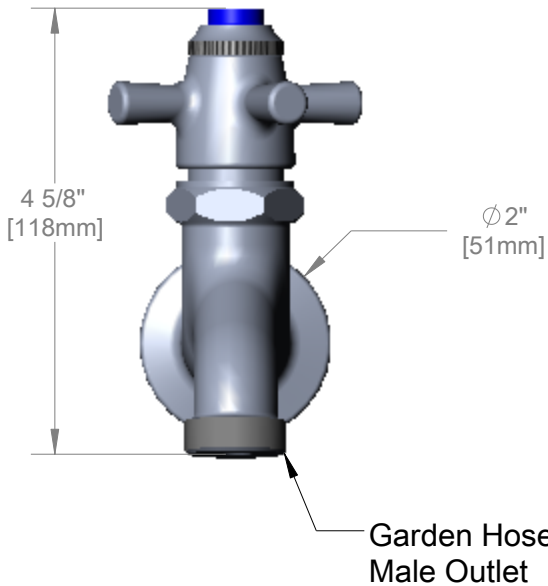
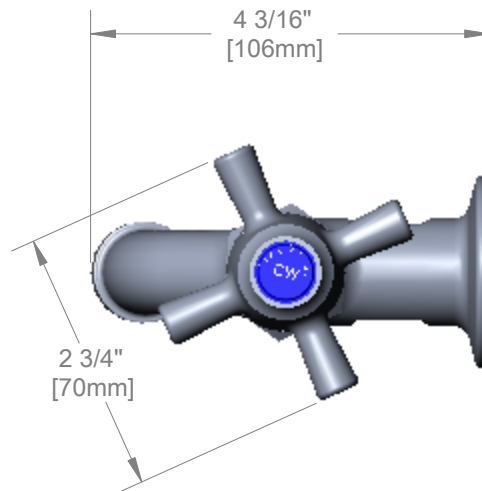
Job Name \_\_\_\_\_ Date \_\_\_\_\_

Model Specified \_\_\_\_\_ Quantity \_\_\_\_\_

Customer/Wholesaler \_\_\_\_\_

Contractor \_\_\_\_\_

Architect/Engineer \_\_\_\_\_



Product Specifications:  
Self-Closing Hose Bibb Faucet w/ 4-Arm  
Handle, 1/2" NPT Female Inlet, Garden Hose  
Male Outlet, & Blue "CW" Index

Drawn WJS	Checked JRM	Approved JHB
Scale: 1:2		Date: 12/04/06



**T&S BRASS AND BRONZE WORKS, INC.**

2 Saddleback Cove / P.O. Box 1088  
Travelers Rest, SC 29690



REG. #A2601  
ISO #9001

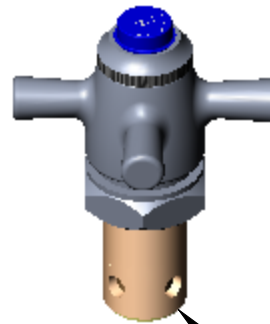
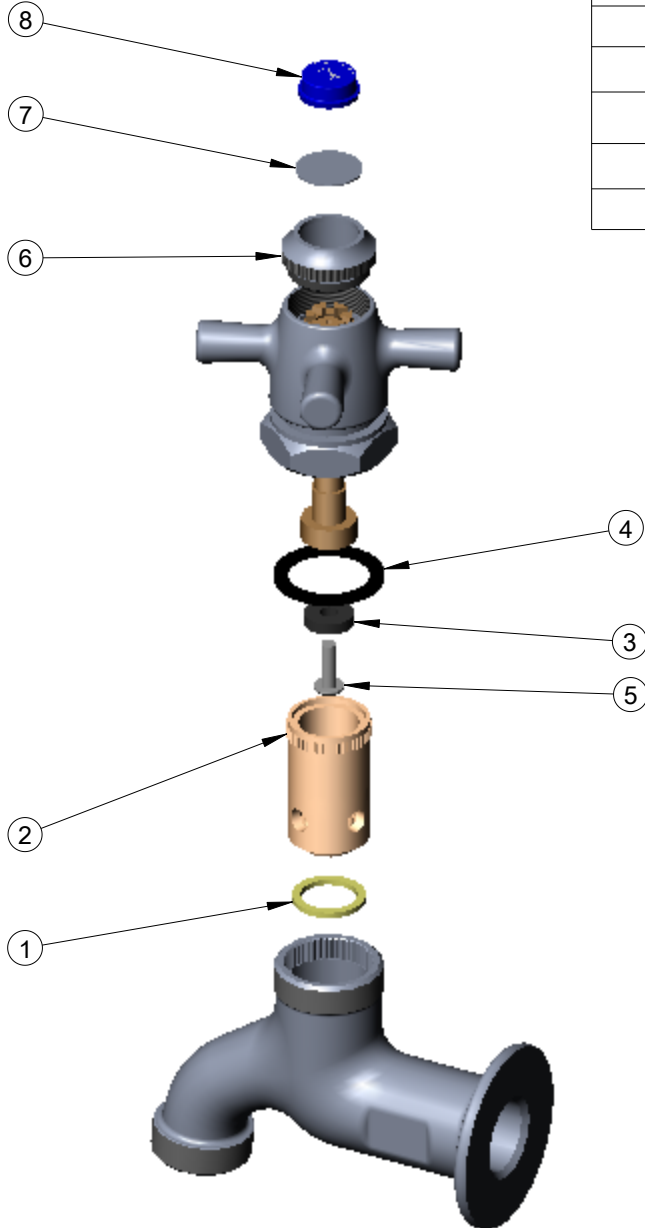
Model No.

**B-0707**

Item No.

Travelers Rest, SC: 800-476-4103    Simi Valley, CA: 800-423-0150    Fax: 864-834-3518    www.tsbrass.com

ITEM	PART NO.	DESCRIPTION
1	009646-45	Washer
2	000789-20	Eterna Barrel
3	001092-45	Seat Washer
4	009643-45	Washer
5	000933-45	Seat Washer Screw
6	000674-40	Slow Close Index Ring
7	001013-45	Slow Close Handle Disc
8	001686-45	Blue CW Index



Specify 007900-40  
for Full Cartridge Asm.

Product Specifications:

Self-Closing Hose Bibb Faucet w/ 4-Arm  
Handle, 1/2" NPT Female Inlet, Garden Hose  
Male Outlet, & Blue "CW" Index

Drawn WJS	Checked JRM	Approved JHB
Scale: 1:2		Date: 12/04/06