



T&S BRASS AND BRONZE WORKS, INC.

2 Saddleback Cove / P.O. Box 1088
Travelers Rest, SC 29690



REG. #A2601
ISO #9001

Model No.

B-0325-WH4

Item No.

Travelers Rest, SC: 800-476-4103 Simi Valley, CA: 800-423-0150 Fax: 864-834-3518 www.tsbrass.com

This Space for Architect/Engineer Approval

Job Name _____ Date _____

Model Specified _____ Quantity _____

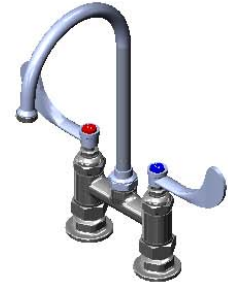
Customer/Wholesaler _____

Contractor _____

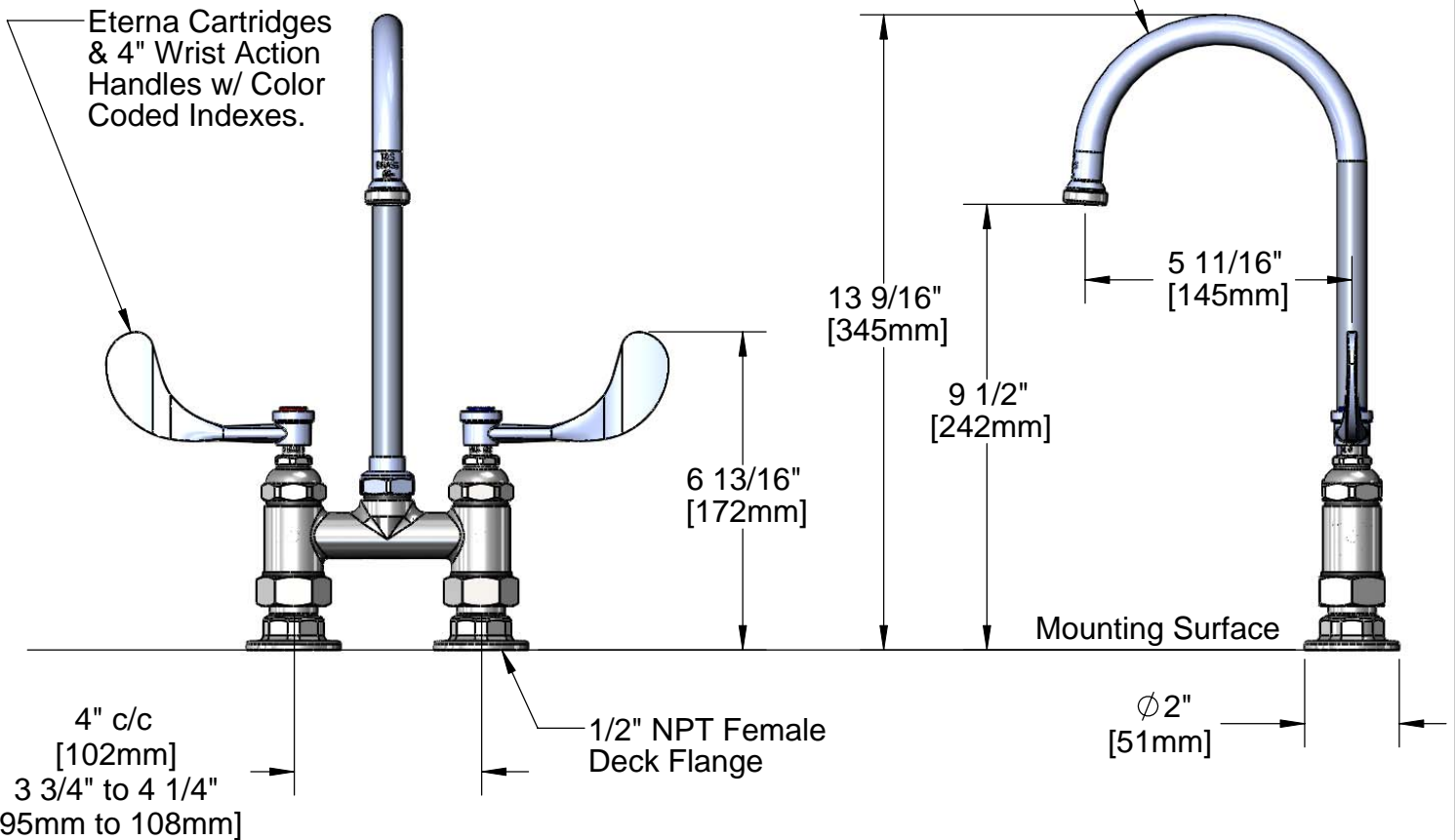
Architect/Engineer _____



ADA Compliant



133X
Swivel Gooseneck w/
B-PT
Stream Regulator Outlet



Product Specifications:

Double Deck Pantry Mixing Faucet, 4" Wrist Action Handles, 133X Swivel Gooseneck w/ Stream Regulator Outlet & 1/2" NPT Female Inlet Flanges

Drawn DHL	Checked DMH	Approved JHB
Scale: 1:4		Date: 08/13/09



T&S BRASS AND BRONZE WORKS, INC.

2 Saddleback Cove / P.O. Box 1088
Travelers Rest, SC 29690



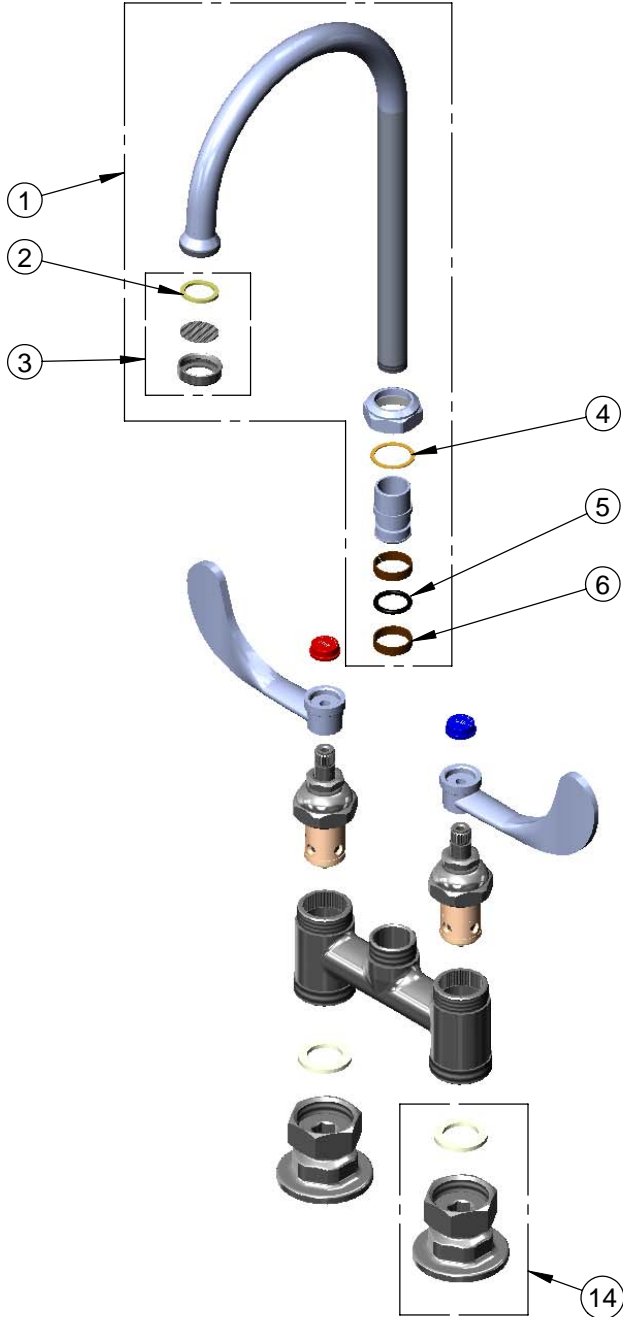
REG. #A2601
ISO #9001

Model No.

B-0325-WH4

Item No.

Travelers Rest, SC: 800-476-4103 Simi Valley, CA: 800-423-0150 Fax: 864-834-3518 www.tsbrass.com



ITEM NO.	SALES NO.	DESCRIPTION
1	133X	Swivel Gooseneck 5 11/16" Spread w/ B-PT Stream Regulator
2	001048-45	Nozzle Tip Washer
3	B-PT	Stream Regulator
4	009538-45	Swivel Washer
5	001074-45	O-Ring
6	011429-45	Swivel Sleeves (2)
10		
11	005959-40	Spindle Asm. Eterna "Cold"
12	005960-40	Spindle Asm, Eterna "Hot"
13	00AA	Flange Assembly
14	001019-45	Coupling Nut Washer
15	B-WH4	4" Wrist Action Handle
16	001194-45	Red HW Index
17	001686-45	Blue CW Index
18	000925-45	Lab Handle Screw

Product Specifications:

Double Deck Pantry Mixing Faucet, 4" Wrist Action Handles, 133X Swivel Gooseneck w/ Stream Regulator Outlet & 1/2" NPT Female Inlet Flanges

Drawn DHL	Checked DMH	Approved JHB
Scale: NTS		Date: 08/13/09