

**T&S BRASS AND BRONZE WORKS, INC.**

2 SADDLEBACK COVE / P.O. BOX 1088 / TRAVELERS REST, SC 29690

PHONE 800-476-4103

FAX 864- 834-3518



REG.#A2601  
ISO #9002

Model No.

B-0234-BST

Item No.:

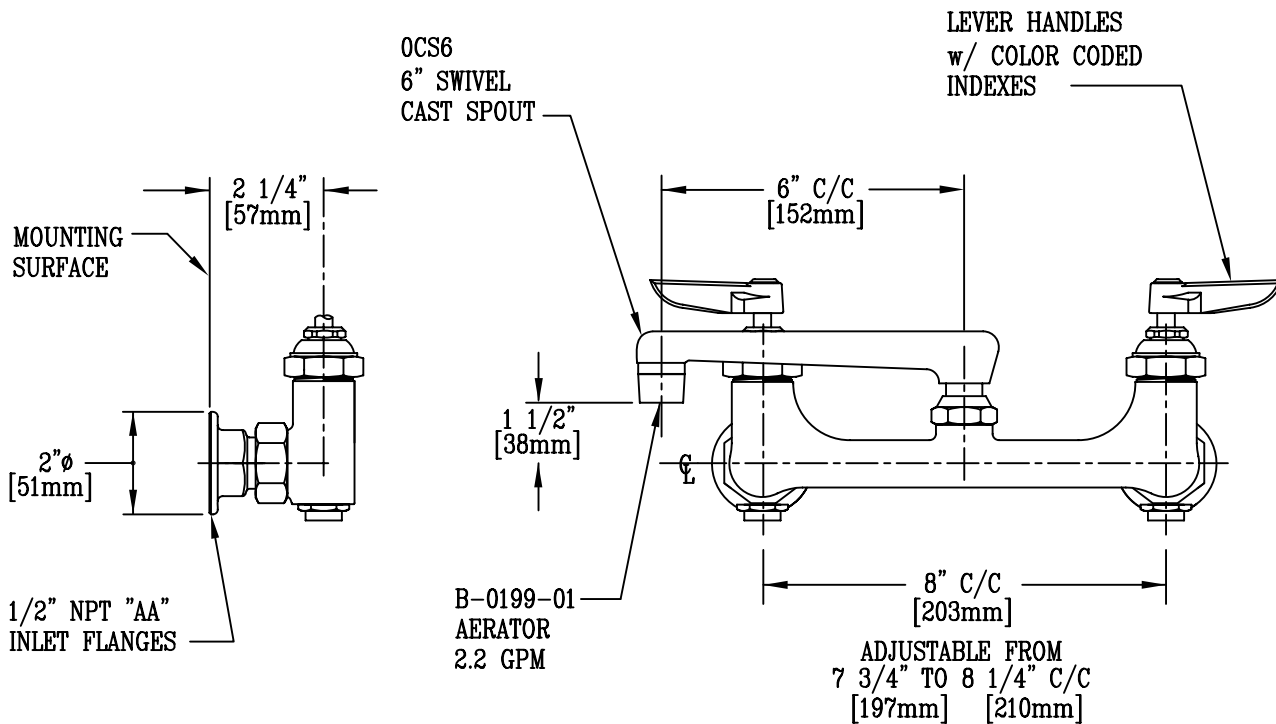
Job Name:

Architect/Engineer Approval:

Notes:



ADA COMPLIANT



Product Description:

8" c/c WALL MOUNTED MIXING FCT. w/  
OCS6 6" CAST SPOUT, LEVER HANDLES,  
& 1/2" NPT FEMALE "AA" INLET FLANGES

Drawn:

KJG

Approved

JHB

Checked

GEF

Scale:

1 : 4

Date:

07/17/08