



T&S BRASS AND BRONZE WORKS, INC.
 2 SADDLEBACK COVE / P.O. BOX 1088 / TRAVELERS REST, SC 29690
 PHONE 800-476-4103 - FAX 864- 834-3518



Model No.
 B-0221-CR
 "RELIABILITY
 BUILT IN"

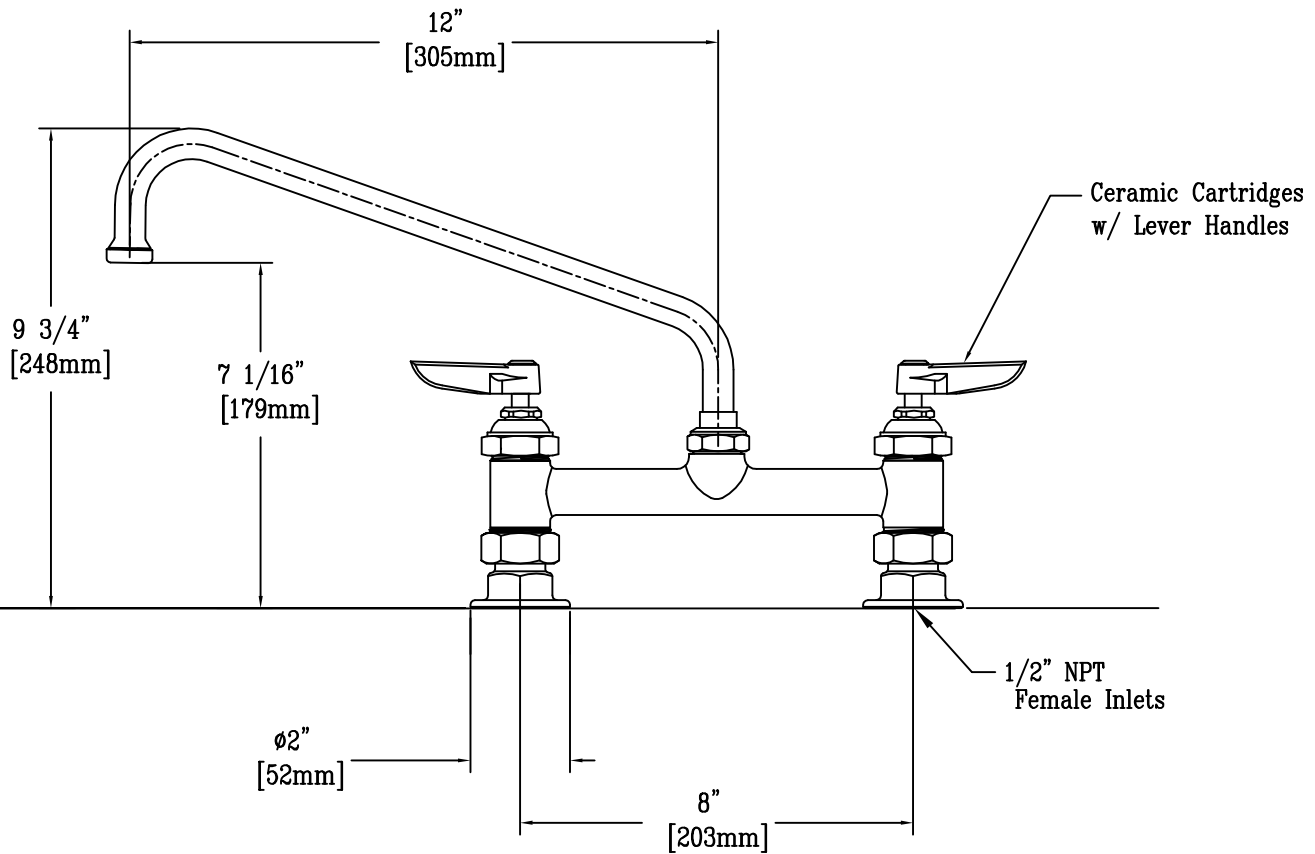
Job Name:

Architect/Engineer Approval:

Notes:



ADA COMPLIANT



Product Description:
 8" c/c Deck Mount Double Pantry Faucet w/ Ceramic Cartridges, 12" Swing Nozzle w/ Stream Regulator

Drawn:
 WJS
 Approved
 JHB

Checked:
 DHL

Scale:
 1:4
 Date:
 04/26/07