



# T&S BRASS AND BRONZE WORKS, INC.

2 Saddleback Cove / P.O. Box 1088  
Travelers Rest, SC 29690



REG. #A2601  
ISO #9001

Model No.  
**B-0200**

Item No.

Travelers Rest, SC: 800-476-4103 Simi Valley, CA: 800-423-0150 Fax: 864-834-3518 www.tsbrass.com

This Space for Architect/Engineer Approval

Job Name \_\_\_\_\_ Date \_\_\_\_\_

Model Specified \_\_\_\_\_ Quantity \_\_\_\_\_

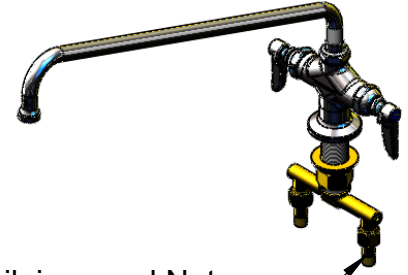
Customer/Wholesaler \_\_\_\_\_

Contractor \_\_\_\_\_

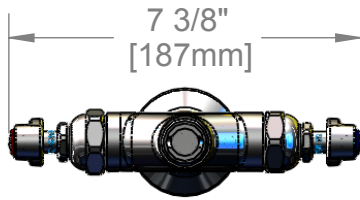
Architect/Engineer \_\_\_\_\_



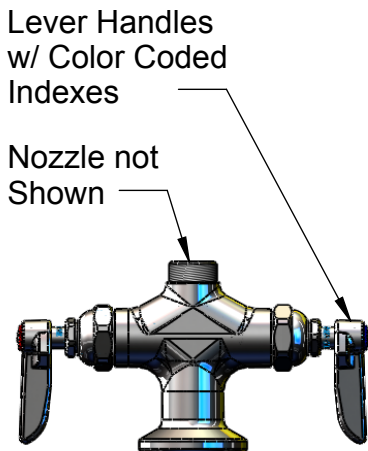
**ADA Compliant**



150A Tailpiece and Nut for 1/4" NPT Connection



Top View  
Less Nozzle



Lever Handles  
w/ Color Coded  
Indexes

Nozzle not  
Shown

12 1/4"  
[311mm]

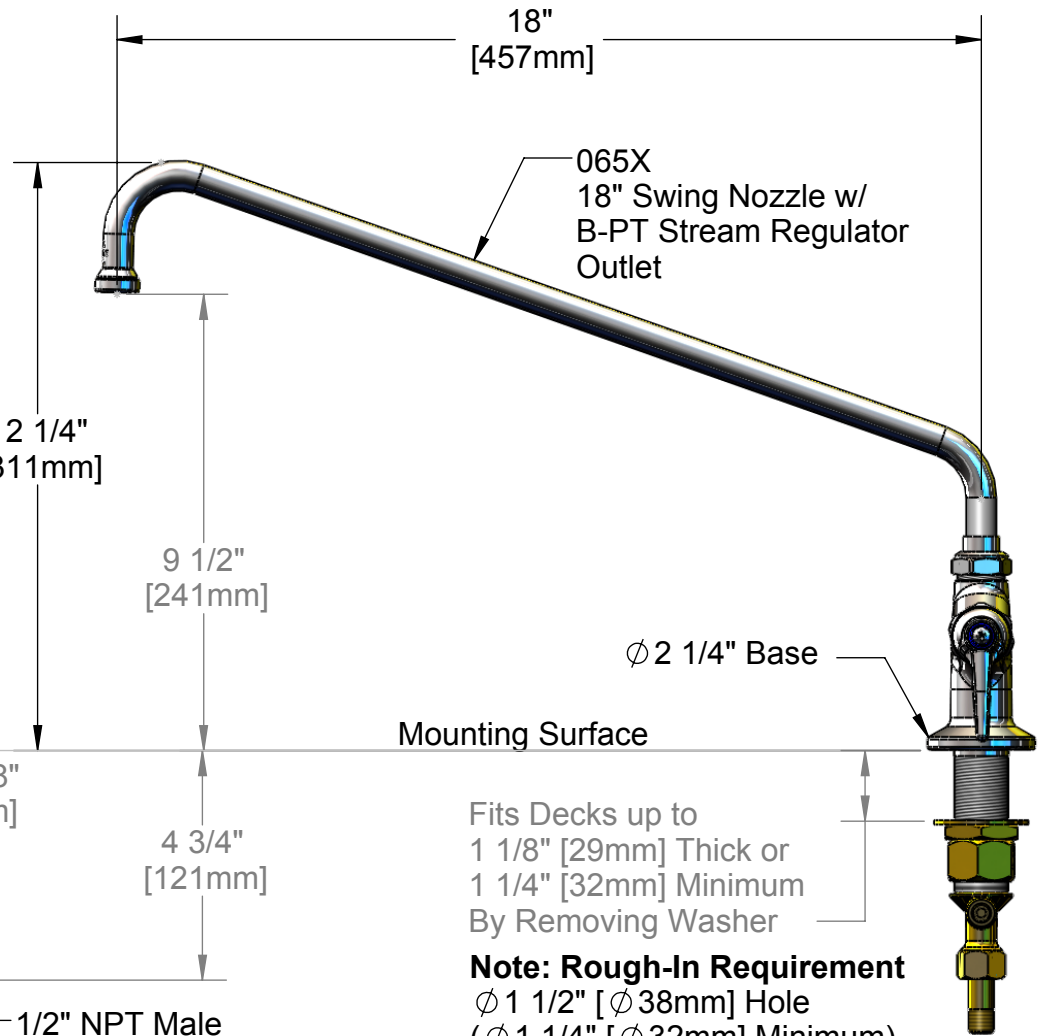
9 1/2"  
[241mm]

Ø 1 1/8"  
[29mm]

4 3/4"  
[121mm]

4"  
[102mm]

1/2" NPT Male  
Threads



Product Specifications:

**Double Pantry Faucet w/ 18" Swing Nozzle,  
B-PT Stream Regulator & Lever Handles**

Drawn KJG	Checked DHL	Approved JHB
Scale: 1:4	Date: 3/20/08	



# T&S BRASS AND BRONZE WORKS, INC.

2 Saddleback Cove / P.O. Box 1088  
Travelers Rest, SC 29690



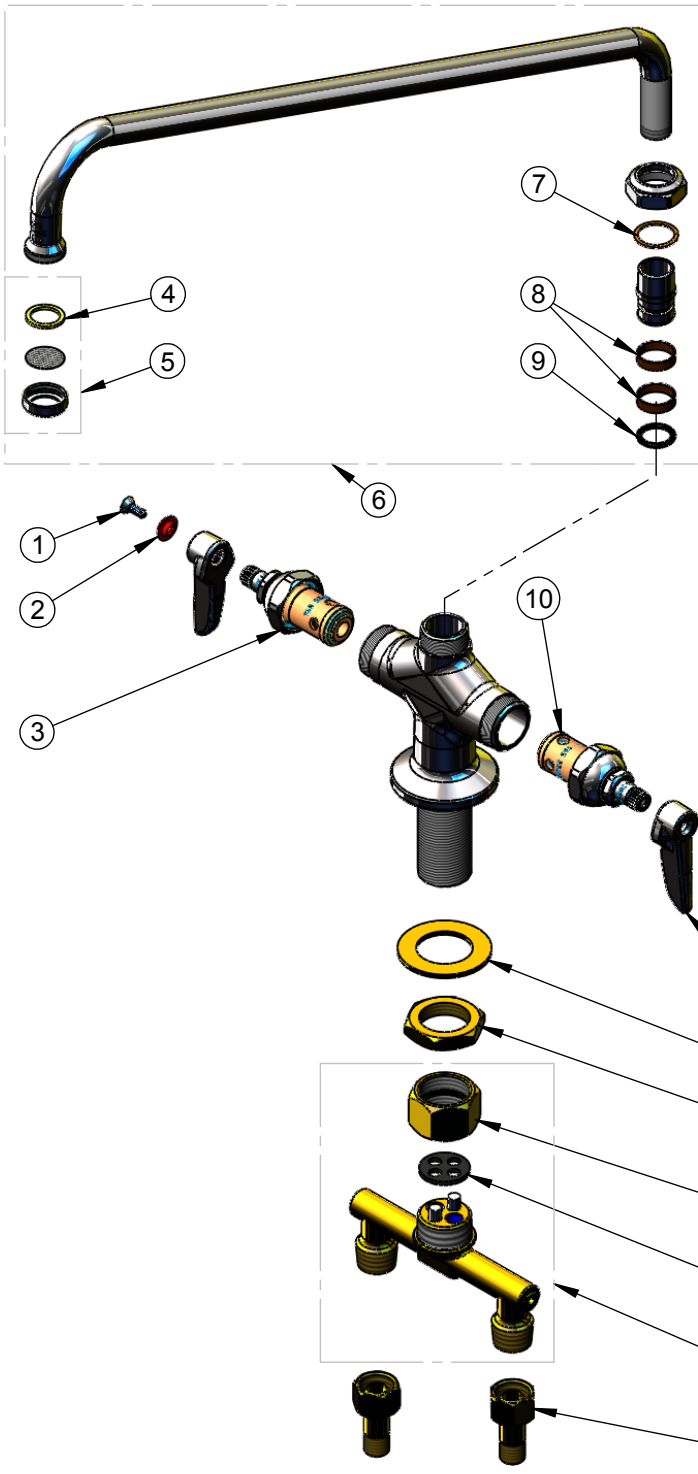
REG. #A2601  
ISO #9001

Model No.

**B-0200**

Item No.

Travelers Rest, SC: 800-476-4103 Simi Valley, CA: 800-423-0150 Fax: 864-834-3518 www.tsbrass.com



ITEM NO.	SALES NO.	DESCRIPTION
1	000922-45	Lever Handle Screw
2	001661-45	Red Index-HW
3	005960-40	Spindle Asm, Eterna "Hot"
4	009638-45	Washer
5	B-PT	Stream Regulator Assembly
6	065X	18" Swing Nozzle Assembly
7	009538-45	Swivel Washer
8	011429-45	Swivel Sleeves (2)
9	001074-45	O-Ring
10	005959-40	Spindle Asm. Eterna "Cold"
11	001660-45	Blue Index-CW
12	001638-45	Lever Handle
13	007365-45	Lock Washer
14	000965-45	Lock Nut
15	000736-20	Spreader Coupler Nut
16	009634-45	Spreader Washer
17	002898-40	4" Spreader Unit
18	150A	Bag of (1) Nut & (1) Tailpiece

Product Specifications:

Double Pantry Faucet w/ 18" Swing Nozzle,  
B-PT Stream Regulator & Lever Handles

Drawn KJG	Checked DHL	Approved JHB
Scale: NTS		Date: 3/20/08