



T&S BRASS AND BRONZE WORKS, INC.

2 Saddleback Cove / P.O. Box 1088
Travelers Rest, SC 29690



REG. #A2601
ISO #9001

Model No.
014152-40

Item No.

Travelers Rest, SC: 800-476-4103 Simi Valley, CA: 800-423-0150 Fax: 864-834-3518 www.tsbrass.com

This Space for Architect/Engineer Approval

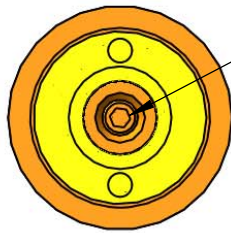
Job Name _____ Date _____

Model Specified _____ Quantity _____

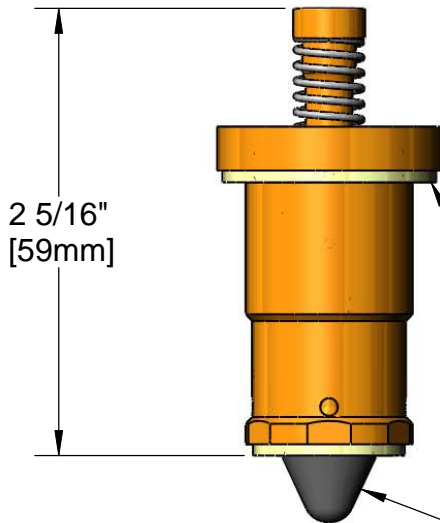
Customer/Wholesaler _____

Contractor _____

Architect/Engineer _____



Metering Adjustment Screw
(Requires 3/32" Hex Key Wrench)



2 5/16"
[59mm]

1.165-18UNS
Note: Interchangeable w/ Push Button,
Wrist Action, & Foot Pedal
Assemblies

Santoprene Seals

Filter Washer

Product Specifications:

Metering Barrel Assembly

Drawn DMH	Checked GEF	Approved JHB
Scale: 1:1		Date: 07/09/08