

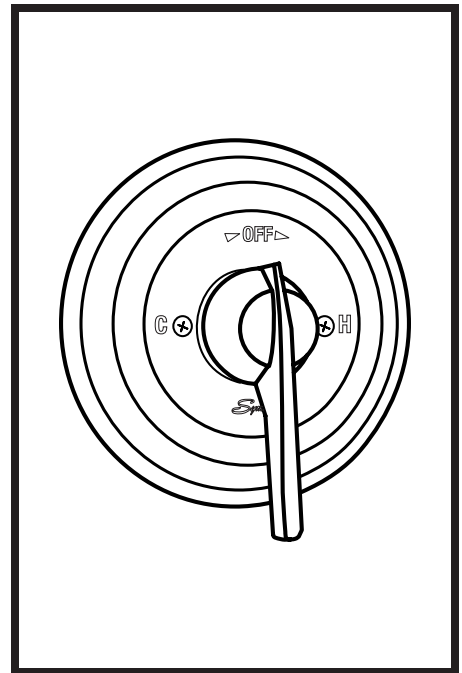
C-86-2-X Temptrol® Tub and Shower Valve

Temptrol Commercial Series Pressure-Balancing tub/shower mixing valve with lever handle, integral service stops, built-in choke for use with diverter spout, and adjustable stop screw to limit handle turn.

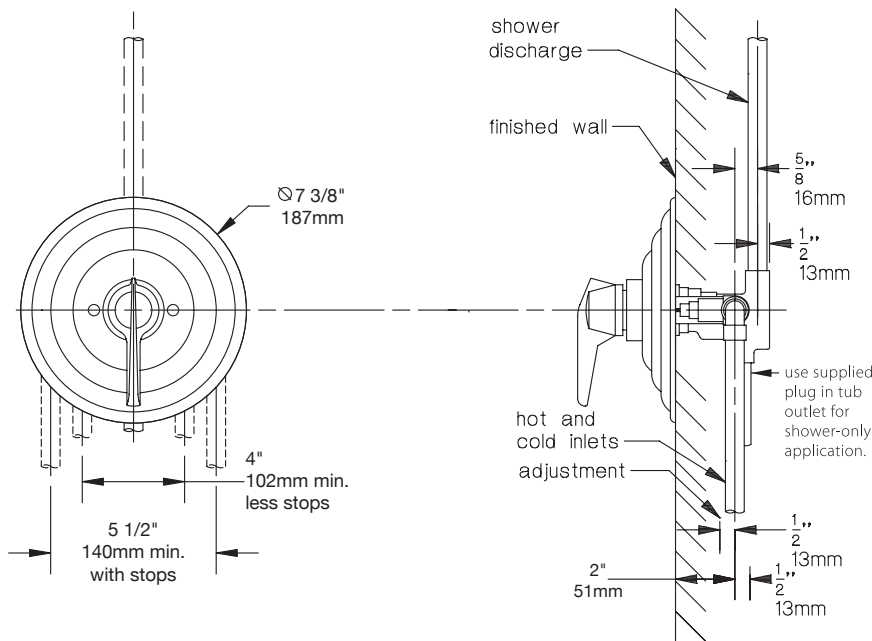
Modifications:

Suffix IPS: 1/2" female IPS connections

Suffix REV: Reverse coring, hot on right, cold on left, for back to back installations



**SYMMONS PRODUCTS MEET
ANSI A112.18.1M, EPA '92
AND ALL KNOWN FLOW RATE
REQUIREMENTS.
Shower Heads and Hand Showers
2.5 GPM (9.5 L/min)**



Job/Location

.....
.....

Engineer

.....
.....

Contractor

.....
.....

This drawing to be used for rough-in installation only. All floor to center dimensions optional. Concealed piping and fittings not furnished by manufacturer. For ADA compliance (Americans with Disabilities Act) consult ADAAG or your state regulations for proper product choice and mounting locations. For complete installation, adjustment and service information see installation instructions.

Symmons Industries, Inc. ■ 31 Brooks Drive ■ Braintree, MA 02184
(800) 796-6667, (781) 848-2250 ■ Fax (800) 961-9621, (781) 843-3849
Website: www.symmons.com ■ Email: customerservice@symmons.com

