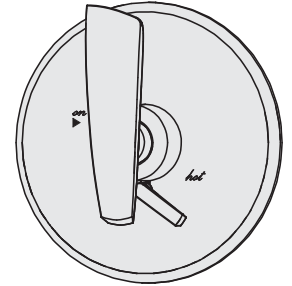




# SYMMONS® Naru™

## Shower System S-4101

### Specification Submittal



#### Feature Highlights

- Symmons shower system with lever handles.
- Symmons Temptrol® pressure balancing mixing valve with adjustable stop screw to limit handle turn.
- Secondary integral volume control handle
- Three mode shower head with arm and flange
- Flow rate 2.5 gpm (9.5 L/min)
- Metal construction with polished chrome finish

#### Model Numbers

- S-4101..... Shower System with Symmons Temptrol® pressure balancing mixing valve, p/n S-4001-BODY
- S-4101-TRM..... Trim only, valve must be ordered separately
- S-4001-BODY..... Symmons Temptrol® pressure balancing mixing valve without trim
- S-4001-X-BODY...Symmons Temptrol® pressure balancing mixing valve without trim. Valve includes integral service stops to allow water shut-off for service.

#### Finish Options

*Append appropriate -suffix to model number.*

- STN Satin nickel finish
- PNL Polished nickel finish

#### Options / Modifications

*Append appropriate -suffix to model number.*

- IPS 1/2 inch female IPS connections on Symmons Temptrol® mixing valve
- X Symmons Temptrol® pressure balancing mixing valve includes integral service stops to allow water shut-off for service, p/n S-4001-X-BODY. (Option only applies when ordering S-4101 model.)

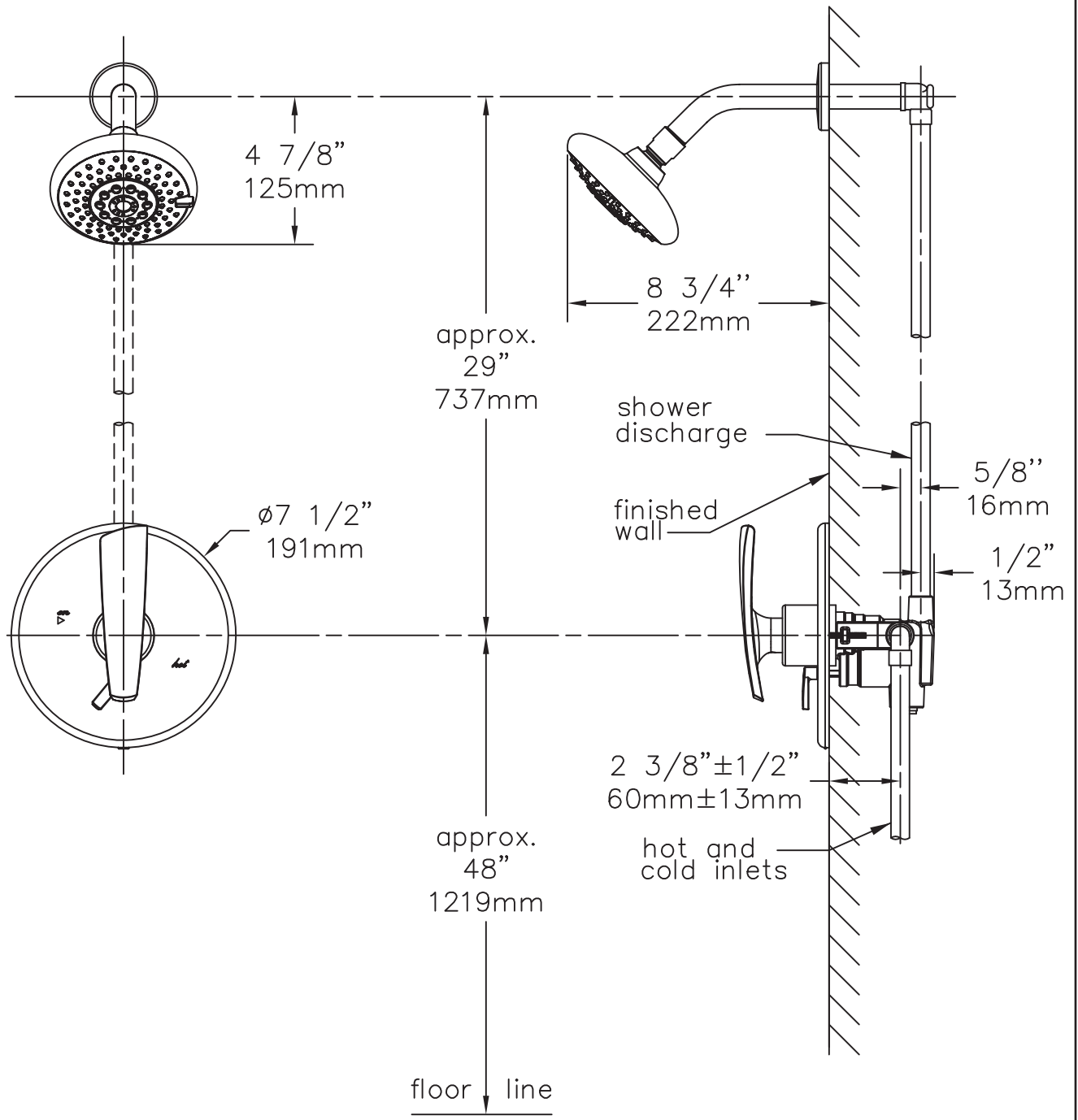
#### Standards / Certifications

ASME A112.18.1-2005/CSA B125.1-05

#### Warranty

- Limited Lifetime - to the original end purchaser in consumer installations.
- 5 years - for commercial installations

## Dimensions *Naru Shower System, S-4101*



**Note:** *Dimensions subject to change without notice.*