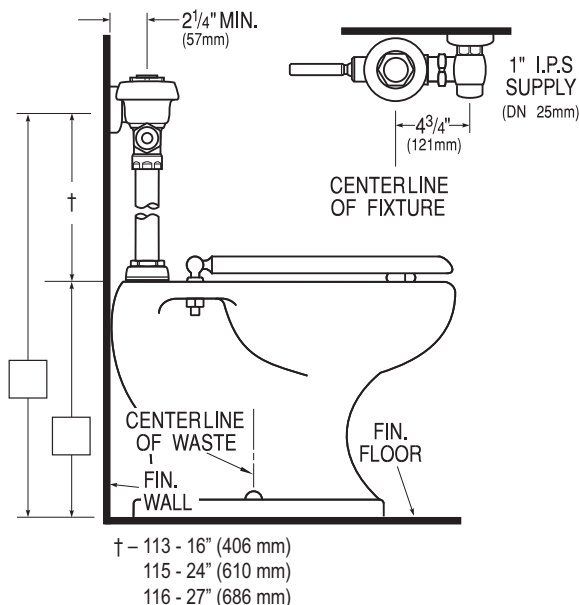


Sloan Valve Company is buying renewable energy certificates to meet 100% of the company's purchased electricity use at its Franklin Park, Illinois facility.

## Royal® Model Flushometer

113-1.28  
115-1.28  
116-1.28

- ▶ **Description**  
Exposed Water Closet Flushometer, for floor mounted or wall hung top spud bowls.
  - ▶ **Flush Cycle**
    - Model 113-1.28 High Efficiency (1.28 gpf/4.8 Lpf)
    - Model 115-1.28 High Efficiency (1.28 gpf/4.8 Lpf)
    - Model 116-1.28 High Efficiency (1.28 gpf/4.8 Lpf)
  - ▶ **Specifications**  
Quiet, Exposed, Diaphragm Type, Chrome Plated Closet Flushometer with the following features:
    - PERMEX™ Synthetic Rubber Diaphragm with Dual Filtered Fixed Bypass
    - ADA Compliant Metal Oscillating Non-Hold-Open Handle with Triple Seal Handle Packing
    - 1" I.P.S. Screwdriver Bak-Chek™ Angle Stop
    - Free Spinning Vandal Resistant Stop Cap
    - Adjustable Tailpiece
    - High Back Pressure Vacuum Breaker Flush Connection with One-piece Bottom Hex Coupling Nut
    - Spud Coupling and Flange for 1½" Top Spud
    - Sweat Solder Adapter with Cover Tube and Cast Set Screw Wall Flange
    - High Copper, Low Zinc Brass Castings for Dezincification Resistance
    - Non-Hold-Open Handle, Fixed Metering Bypass and No External Volume Adjustment to Ensure Water Conservation
    - Flush Accuracy Controlled by CID™ Technology
    - Diaphragm, Handle Packing, Stop Seat and Vacuum Breaker to be molded from PERMEX™ Rubber Compound for Chloramine Resistance
- Valve Body, Cover, Tailpiece and Control Stop shall be in conformance with ASTM Alloy Classification for Semi-Red Brass. Valve shall be in compliance to the applicable sections of ASSE 1037 and ANSI/ASME 112.19.6.
- ▶ **Accessories**  
See Accessories Section of the Sloan catalog for details on these and other Flushometer variations.



This product may contribute to LEED credits. See details on LEED calculation worksheet.

Made In The  
**USA**

This space for Architect/Engineer approval

The information contained in this document is subject to change without notice.



SLOAN VALVE COMPANY • 10500 SEYMOUR AVE. • FRANKLIN PARK, IL. 60131  
Ph: 1-800-9-VALVE-9 or 1-847-671-4300 • Fax: 1-800-447-8329 or 1-847-671-4380  
<http://www.sloanvalve.com>