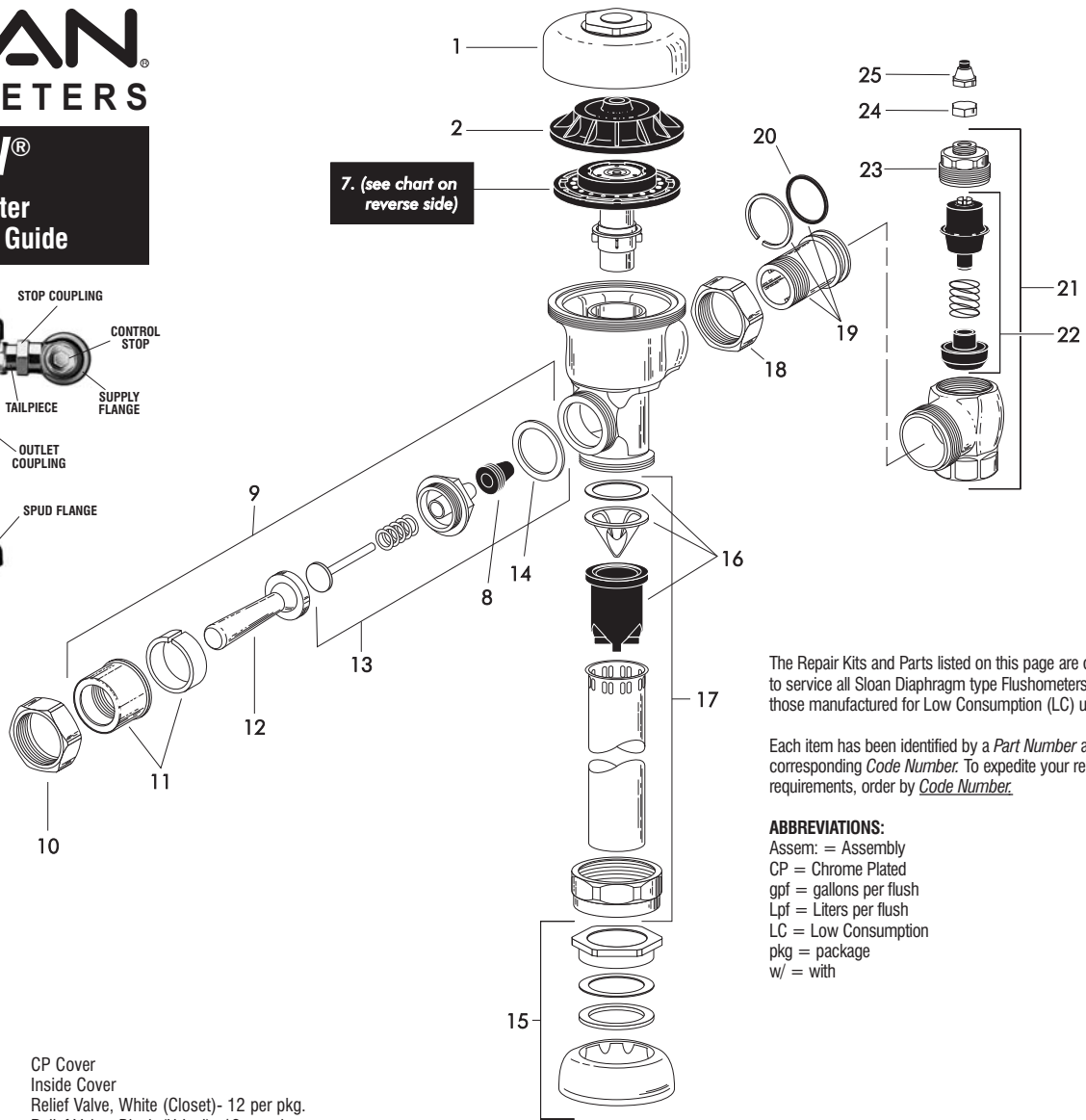
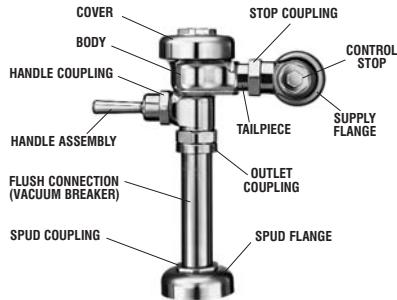


SLOAN® FLUSHOMETERS

Regal® Flushometer Maintenance Guide



The Repair Kits and Parts listed on this page are designed to service all Sloan Diaphragm type Flushometers, including those manufactured for Low Consumption (LC) usage.

Each item has been identified by a *Part Number* and a corresponding *Code Number*. To expedite your replacement requirements, order by *Code Number*.

ABBREVIATIONS:

Assem. = Assembly
CP = Chrome Plated
gpf = gallons per flush
Lpf = Liters per flush
LC = Low Consumption
pkg = package
w/ = with

PARTS LIST

- | | | | |
|-----|---------|----------|--|
| 1. | 0317004 | R-10 | CP Cover |
| 2. | 0301168 | A-71 | Inside Cover |
| 3A. | 5301058 | A-19-AC | Relief Valve, White (Closet)- 12 per pkg. |
| 3B. | 5301059 | A-19-AU | Relief Valve, Black (Urinal)- 12 per pkg. |
| 3C. | 5301211 | A-19-ALC | Relief Valve, Green (Closet/Urinal-LC)- 12 per pkg. |
| 3D. | 5301143 | A-19-AL | Relief Valve, Blue (9 Liter Closet)- 12 per pkg. |
| 4. | 5301111 | A-15-A | Disc - for all Inside Parts Kits - 12 per pkg. |
| 5. | 5301188 | A-156-A | Diaphragm - for all Inside Parts Kits - 12 per pkg. |
| 6A. | 5301236 | A-163-A | Guide Assem. 4.5 gpf/17.0 Lpf Closet & 1.5 gpf/5.7 Lpf Urinal -12 per pkg. |
| 6B. | 5301032 | A-152-A | Guide Assem. 3.5 gpf/13.2 Lpf Closet - 12 per pkg. |
| 6C. | 5301031 | A-151-A | Guide Assem. 1.6 gpf/6.0 Lpf LC Closet - 12 per pkg. |
| 6D. | 5301155 | A-155-A | Guide Assem. 1.0 gpf/3.8 Lpf LC Urinal - 12 per pkg. |
| 6E. | 5301157 | A-157-A | Guide Assem. 0.5 gpf/1.9 Lpf Urinal - 12 per pkg. |
| 7. | | | SEE INSIDE PARTS KITS CHART ON THE REVERSE SIDE |
| 8. | 5302297 | B-39 | Seal - 12 per pkg. |
| 9. | 5302279 | B-32-A | CP Handle Assem. - 6 per pkg. |
| | 0302390 | B-73 | CP Handicap Handle Assem. (A.D.A. Compliant) |
| 10. | 0301082 | A-6 | CP Handle Coupling |
| 11. | 0302109 | B-7-A | CP Socket Assem. |
| 12. | 5302274 | B-32 | CP Handle Grip - 12 per pkg. |
| | 0302389 | B-74-A | CP Handicap Handle Grip (A.D.A. Compliant) |
| 13. | 5302305 | B-50-A | Handle Repair Kit - 6 per pkg. |
| 14. | 5301139 | A-31 | Handle Gasket - 48 per pkg. |
| 15. | 0306102 | F-54-A | 3/4" CP Spud Coupling Assem |
| | 0306142 | F-55-A | 1 1/4" CP Spud Coupling Assem. |
| | 0306145 | F-56-A | 1 1/2" CP Spud Coupling Assem. |
| 16. | 3323192 | V-551-A | Vacuum Breaker Repair Kit |
| 17. | 5323005 | V-500-AA | 3/4" x 9" CP Vacuum Breaker - 6 per pkg. |
| | 5323006 | V-500-AA | 1 1/4" x 9" CP Vacuum Breaker - 6 per pkg. |
| | 5323007 | V-500-AA | 1 1/2" x 9" CP Vacuum Breaker - 6 per pkg. |
| 18. | 0308676 | H-550 | CP Stop Coupling |
| 19. | 0308801 | H-551-A | CP Adjustable Tailpiece 2 1/16" long |
| 20. | 5308696 | H-553 | O-Ring - 24 per pkg. |

- | | | | |
|-----|---------|---------|---|
| 21. | 0388029 | H-740-A | 1" Screwdriver Bak-Chek® Stop CP - complete |
| | 0388031 | H-740-A | 3/4" Screwdriver Bak-Chek® Stop CP - complete |
| 22. | 3308853 | H-541-A | 1" Control Stop Repair Kit * |
| | 3308856 | H-543-A | 3/4" Control Stop Repair Kit ** |
| 23. | 0308991 | H-639 | CP Bonnet * |
| | 0308601 | H-538 | CP Bonnet ** |
| 24. | 5308156 | H-37 | CP Cap - 6 per pkg. |
| 25. | 5310034 | J-2/J-7 | Bumper Assem. - 6 per pkg. |

* for use with H-740 1" & 3/4" and H-540-A 1" Screwdriver Bak-Chek® Control Stops
** for use with H-540-A 3/4" Screwdriver Bak-Chek® Control Stops

MASTER FLUSHOMETER REBUILDING KITS

| Includes Items 7-13-16 & 20 | | |
|-----------------------------|----------|--|
| CODE NO. | KIT NO. | DESCRIPTION |
| 3317001 | R-1001-A | Rebuild Kit (4.5 gpf/17.0 Lpf) Closet/Service Sink |
| 3317002 | R-1002-A | Rebuild Kit (1.5 gpf/5.7 Lpf) Urinal |
| 3317003 | R-1003-A | Rebuild Kit (3.5 gpf/13.2 Lpf) Closet |
| 3317004 | R-1004-A | Rebuild Kit (1.6 gpf/6.0 Lpf) Closet |
| 3317005 | R-1005-A | Rebuild Kit (1.0 gpf/3.8 Lpf) LC Urinal |
| 3317011 | R-1011-A | Rebuild Kit (0.5 gpf/1.9 Lpf) Urinal |
| 3317012 | R-1012-A | Rebuild Kit (2.4 gpf/9.0 Lpf) Closet |
| WASHER SET | | |
| 3301089 | A-156-AA | Washer Set - Includes: 4, 5, 8 & 14 |

The information contained in this document is subject to change without notice.

SLOAN VALVE COMPANY • 10500 SEYMOUR AVENUE • FRANKLIN PARK, IL 60131

Phone: 1-800-9-VALVE-9 or 1-847-671-4300 • Fax: 1-800-447-8329 or 1-847-671-4380 • <http://www.sloanvalve.com>