



Water Coolers



VersaFiller alcove is tall enough to accommodate most sizes of refillable water bottles on the market.

The PWSBF VersaFiller is designed to retrofit on existing Oasis P8AC and P8AM pressure cooler models

Models that this unit will not retrofit to: electric eye P8AC and P8AM units. Units with optional glass fillers must have the glass filler disconnected and removed.

BARRIER-FREE VERSACOOLER® II

PWSBF (VersaFiller™ Retrofit kit)

Suggested Specification

When retrofitted to either the P8AC or P8AM, the PWSBF Bottle Filler has independent manual activation. VersaFiller alcove and activation button contain Freshield, WHICH UTILIZES a silver-based antimicrobial compound that reduces the growth of micro-organisms and mildew to protect the surfaces from discoloration, odors and degradation. VersaFiller cabinet finish is Brushed Stainless Steel. Shall comply with ANSI/NSF 61.

When retrofitted to either the P8AC or P8AM the VersaFiller models satisfy CABO/ANSI A117.1 and these water coolers comply with ADA requirements when properly installed. Units also meet guidelines for children's accessibility providing the floor to orifice height is 30 inches and proper clear floor space is provided for frontal approach.

Standard Features

- > Waterways Are Lead-Free In Materials & Construction
- > Heavy Duty Steel Frame
- > Surface Mount Frame Assembly
- > VersaFiller has Independent Mechanical Activation
- > Product Certified by NSF to NSF/ANSI Standard 61, including Annex G, (AB953)

Finishes

- > VersaFiller Cabinet Finish is Brushed Stainless Steel

Installation

- > Prior to roughing consult with local, state, and federal codes for proper mounting height.
- > Shipped with complete instructions and wall mounting brackets.



ADA Compliant when retrofitted to either the P8AC or P8AM



Components in this fountain are lead free as defined by the Safe Drinking Water Act Amendments of 1986, and the Lead Contamination Control Act of 1988.

Limited 5-Year Warranty (Continental limits of the United States and Canada): Five years on the sealed refrigeration system and most component parts. Detailed warranty certificate enclosed with each water cooler; sample available upon request.

Export Warranty: One year on component parts. Detailed warranty certificate enclosed with each drinking fountain; sample copy available upon request.

Product Certified to NSF/ANSI Standard 61, Annex G (weighted average lead content of $\leq 0.25\%$) and is in compliance with California's Health & Safety Code Section 116875 (commonly known as AB1953). Models covered by this specification comply with all known Plumbing Codes. Listed by Underwriters' Laboratories to U.S. and Canadian standards.



Freshield



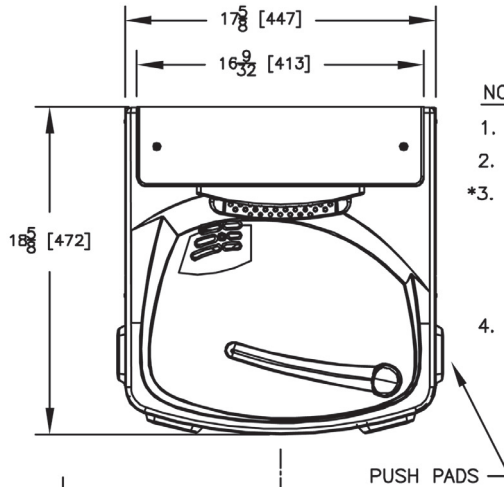
Model	50° F Drinking Water 90° F Ambient Air Temp*			Hot 'N Cold™ Model	115 Volts, 60 HZ			Glass Filler Acc. Option	Cabinet Color Finish	Net Wt. Approx.
	Rated Capacity GPH	Base Rate GPH	Pre-Cooler		Compr. HP	Full Load Amps	Rated Watts			
PWSBF			No	No				No	Yes	10 Lbs.

* Industry Standard Rating Condition 80° F inlet water temperature.

Specifications subject to change without notice

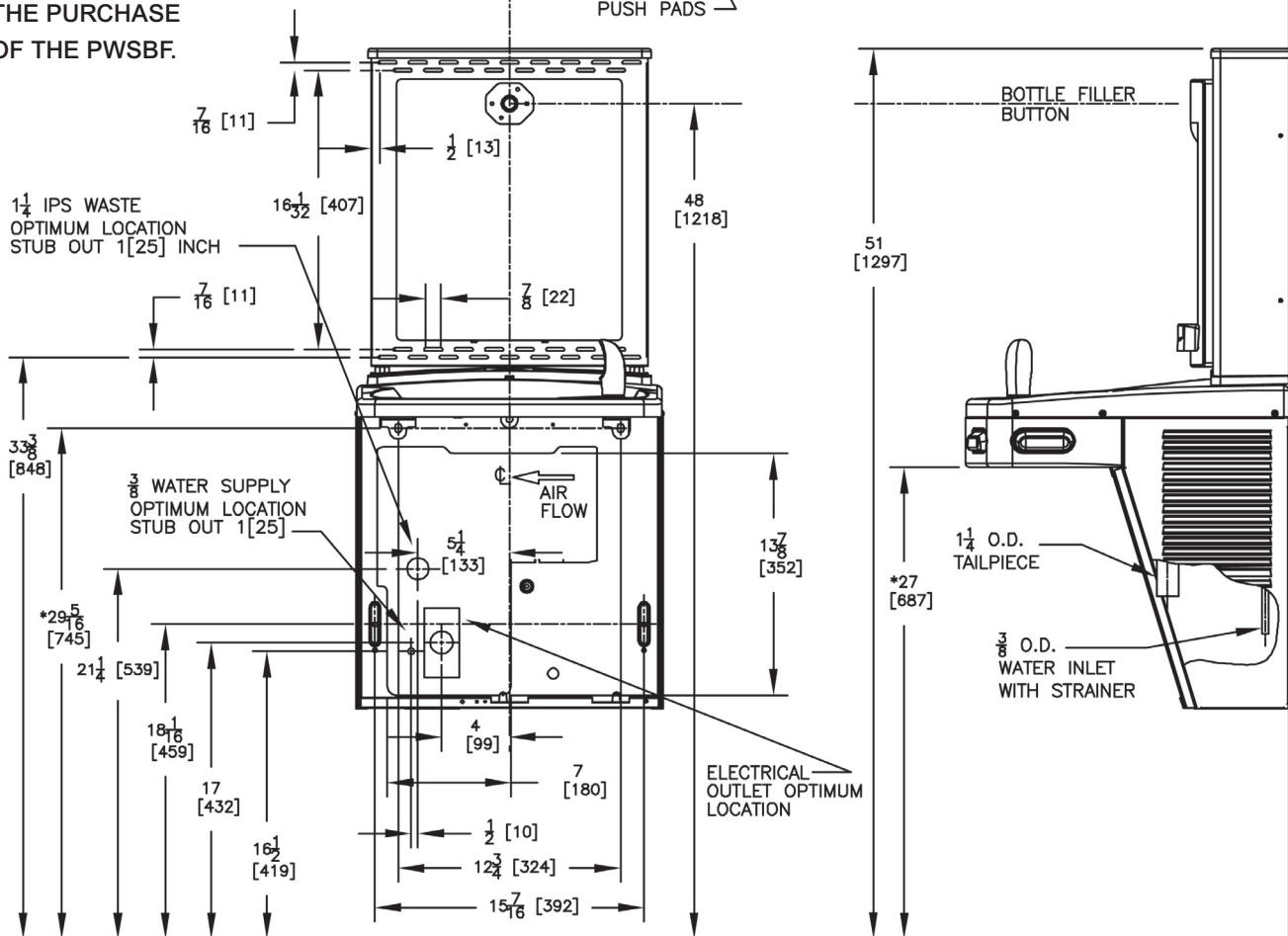
Oasis® PWSBF VersaFiller Retrofit kit with P8AC (not included).

Rough-in drawing is shown with a P8AC unit in order to show the proper height of the unit when retrofitted to the parent unit and height from the floor in order to comply with ADA standards. THE P8AC UNIT IS NOT INCLUDED WITH THE PURCHASE OF THE PWSBF.

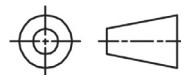


NOTES:

1. TRAP, STOP VALVE AND ELECTRICAL OUTLET NOT FURNISHED.
2. ALLOW 4 INCHES [102 MM] MIN. PER SIDE FOR VENTILATION.
- *3. RECOMMENDED ADULT BARRIER FREE HEIGHT INSTALLATION SHOWN. REDUCE HEIGHT BY 3 INCHES FOR INSTALLATIONS USED PRIMARILY BY CHILDREN AGES 12 AND YOUNGER. UNIT SHALL ALSO HAVE A MINIMUM CLEAR FLOOR SPACE 30[760] BY 48[1220]. ADJUST VERTICAL DIMENSIONS AS REQ'D TO COMPLY WITH FEDERAL, STATE, AND LOCAL CODES.
4. ALL DIMENSIONS ARE IN INCHES. DIMENSIONS IN BRACKETS [] ARE IN MILLIMETERS.



THIRD ANGLE PROJECTION



ROUGHING-IN AND DIMENSIONAL DRAWING