

APPLICATION:

PRODUCT NAME:  
UTILITY SPRAY WALL MOUNT

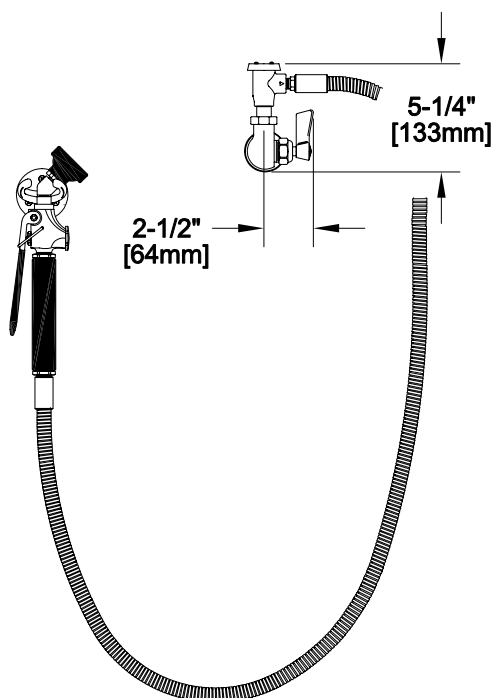
JOB NAME:

SPECIAL CONFIGURATION  
 CHECK BASE MODEL AND OPTIONS

QUANTITY:

ITEM NO.

MODEL:  
■ 2760



- OPTIONS OR MODIFICATIONS:
- SUPPLY LINES (24" OR 36") CIRCLE LENGTH
  - ADD-ON FAUCET (6", 8", 10", 12", 14", 16") CIRCLE
  - IN-LINE DUAL CHECK VALVE
  - PIPE HOOK
  - NIPPLES
  - ELBOWS
  - BRUSH
  - HANDLES (CROSS OR WRIST) CIRCLE STYLE
  - VANDAL RESISTANT KIT
  - OTHER \_\_\_\_\_

FEATURES

- CONTROL VALVE
- \* SINGLE WALL
  - \* STEM - RIGHT HAND
  - \* SWIVELLING SEAT DISK
  - \* HOT AND COLD INDEX BUTTONS
  - \* STAINLESS STEEL SEAT
  - \* STAINLESS STEEL SEAT SCREW
  - \* STAINLESS STEEL HANDLE SCREW

- HOSE
- \* 60" LENGTH
  - \* STAINLESS STEEL END FITTINGS
  - \* STAINLESS STEEL EXTERNAL JACKET
  - \* 3-PLY FIBER REINFORCED INTERNAL RUBBER HOSE
  - \* REPAIRABLE IN-FIELD WITH SIMPLE TOOLS

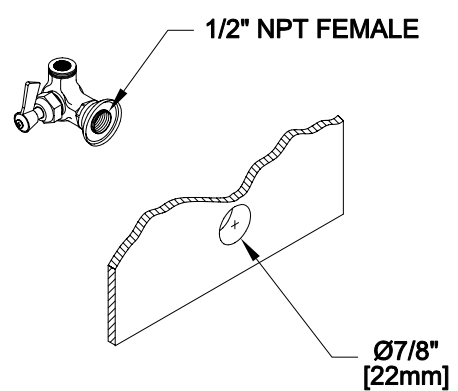
- UTILITY SPRAY VALVE
- \* NOZZLE THREADED INTO VALVE
  - \* SHOWER SPRAY PATTERN
  - \* 45° ANGLED HEAD
  - \* BRONZE HANDLE - NOT PLASTIC - MEANS FULL "ON"
  - \* FITS ALL BRANDS
  - \* 2.65 GPM AT 80 PSI

- SWIVEL ELBOW
- \* 360° TURNING RADIUS
  - \* ATMOSPHERIC VACUUM BREAKER

- SYSTEM LIMITS
- \* TEMP: 40°F MIN. TO 140°F MAX.
  - \* PRESSURE: 200 PSI MAX. STATIC

- SHIPPING WEIGHT
- \* 7.5 LBS

ROUGH-IN:



**FISHER**  
FISHER MANUFACTURING COMPANY  
TOLL FREE: 800-421-6162 - FAX: 800-832-8238  
information@fisher-mfg.com - www.fisher-mfg.com