

APPLICATION:

JOB NAME:

QUANTITY: ITEM NO.

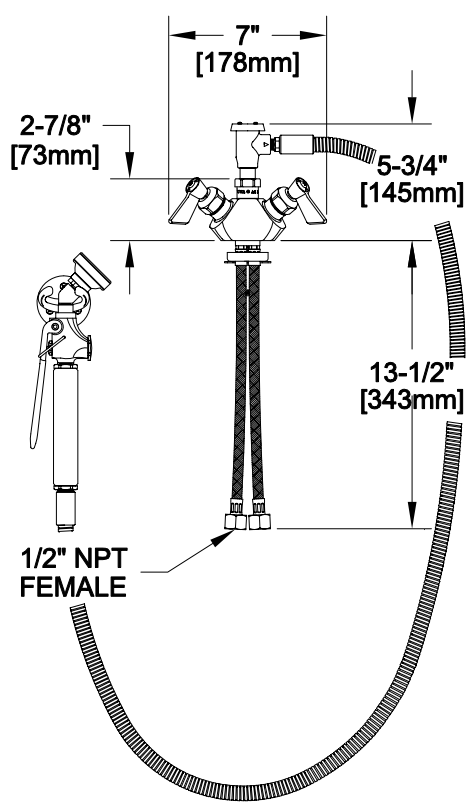
PRODUCT NAME:

UTILITY SPRAY DECK MOUNT

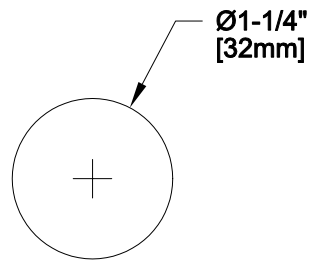
SPECIAL CONFIGURATION
CHECK BASE MODEL AND OPTIONS

MODEL:

2160



ROUGH-IN:



OPTIONS OR MODIFICATIONS:

SUPPLY LINES (24" OR 36") CIRCLE LENGTH

ADD-ON FAUCET (6", 8", 10", 12", 14", 16") CIRCLE

IN-LINE DUAL CHECK VALVE

PIPE HOOK

BRUSH

HANDLES (CROSS OR WRIST) CIRCLE STYLE

VANDAL RESISTANT KIT

OTHER _____

- FEATURES
- CONTROL VALVE**
- * SINGLE DECK DUAL CONTROL
 - * HOT SIDE STEM - RIGHT HAND
 - * COLD SIDE STEM - LEFT HAND
 - * SWIVELLING SEAT DISKS
 - * HOT AND COLD INDEX BUTTONS
 - * STAINLESS STEEL SEATS
 - * STAINLESS STEEL SEAT SCREWS
 - * STAINLESS STEEL HANDLE SCREWS
 - * FLEXIBLE INLET HOSES
- HOSE**
- * 60" LENGTH
 - * STAINLESS STEEL END FITTINGS
 - * STAINLESS STEEL EXTERNAL JACKET
 - * 3-PLY FIBER REINFORCED INTERNAL RUBBER HOSE
 - * REPAIRABLE IN-FIELD WITH SIMPLE TOOLS
- UTILITY SPRAY VALVE**
- * NOZZLE THREADED INTO VALVE
 - * SHOWER SPRAY PATTERN
 - * 45° ANGLED HEAD
 - * BRONZE HANDLE - NOT PLASTIC - MEANS FULL "ON"
 - * FITS ALL BRANDS
 - * 2.65 GPM AT 80 PSI
- SWIVEL ELBOW**
- * 360° TURNING RADIUS
 - * ATMOSPHERIC VACUUM BREAKER
- SYSTEM LIMITS**
- * TEMP: 40°F MIN. TO 140°F MAX.
 - * PRESSURE: 200 PSI MAX. STATIC
- SHIPPING WEIGHT**
- * 8.0 LBS

