

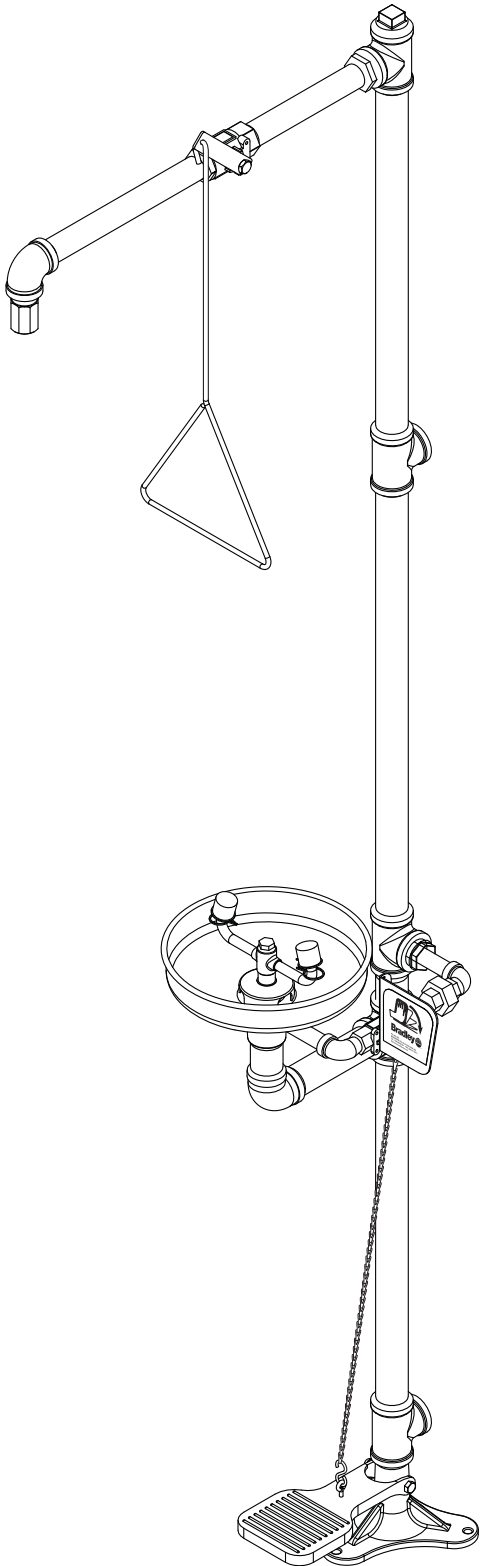
# Installation

## S19-310SS16

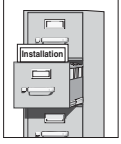
### Stainless Steel Combination Drench Shower and Eyewash

#### Table of Contents

Pre-Installation Information .....	2
Installation Instructions .....	3
Assembly of Components .....	4
Parts List .....	5



## ⚠ IMPORTANT ⚠



Read this installation manual completely to ensure proper installation, then file it with the owner or maintenance department. Compliance and conformity to drain requirements and other local codes and ordinances is the responsibility of the installer.



Separate parts from packaging and make sure all parts are accounted for before discarding any packaging material. If any parts are missing, do not begin installation until you obtain the missing parts.



Flush the water supply lines before beginning installation and after installation is complete. Test the unit for leaks and adequate water flow. Main water supply to the eyewash should be "ON" at all times. Provisions shall be made to prevent unauthorized shutoff.



The ANSI Z358.1 standard requires an uninterrupted supply of flushing fluid at a minimum 30 PSI (0.21 MPa) flowing pressure. Flushing fluid should be tepid per ANSI Z358.1.



The inspection and testing results of this equipment should be recorded weekly to verify proper operation. This equipment should be inspected annually to ensure compliance with ANSI Z358.1.



Workers who may come in contact with potentially hazardous materials should be trained regarding the placement and proper operation of emergency equipment per ANSI Z358.1.



For questions regarding the operation or installation of this product, visit [www.bradleycorp.com](http://www.bradleycorp.com) or call 1-800-BRADLEY.

Product warranties and service parts information may also be found under "Products" on our web site at [www.bradleycorp.com](http://www.bradleycorp.com).

# Installation

## Supplies Required:

- (3) 3/8" floor anchors and bolts
- Pipe sealant
- Piping to 1 1/4" NPT water supply inlet and 1 1/4" NPT drain outlet on unit
- Adequate supply pipe supports
- Minimum 4" (102mm) drain to accommodate 30 gallons (115 liters) per minute discharge for shower waste
- OPTIONAL: sign-mounting hardware

*NOTE: Local codes may require the installation of a backflow prevention valve to complete proper installation. Compliance with local codes is the responsibility of the installer. Valve must be tested annually to verify that it is functioning properly. Backflow prevention valves are not included with the fixture and may be supplied by the contractor or purchased from Bradley Corporation.*

### Step 1: Secure base to floor

1. Install three suitable anchors (supplied by installer) for 3/8" bolts in the floor.
2. Bolt the base to the floor anchors using 3/8" bolts (supplied by installer).

### Step 2: Assemble components

1. Assemble the remaining unit components as shown on page 4.
  - Apply pipe sealant (by installer) to all male-threaded pipe joints.
  - Use the rubber grip pad provided or a strap wrench around pipes when tightening to prevent marring. Place the grip pad on the pipe, then put the wrench over the grip pad and turn the pipe with the wrench.
  - When connecting the steel chain, first connect the chain to the "S" hook on the foot treadle. Then, with the foot treadle raised up, straighten the chain and connect a link to the "S" hook on the valve handle. Make sure the chain is pulled tight. The length of chain will vary.
  - The bottom edge of the showerhead should be 86 3/4" (2203mm) from the floor.

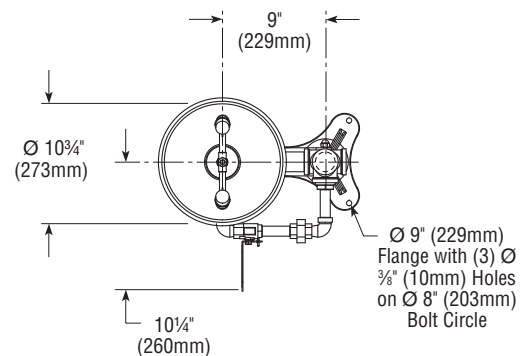
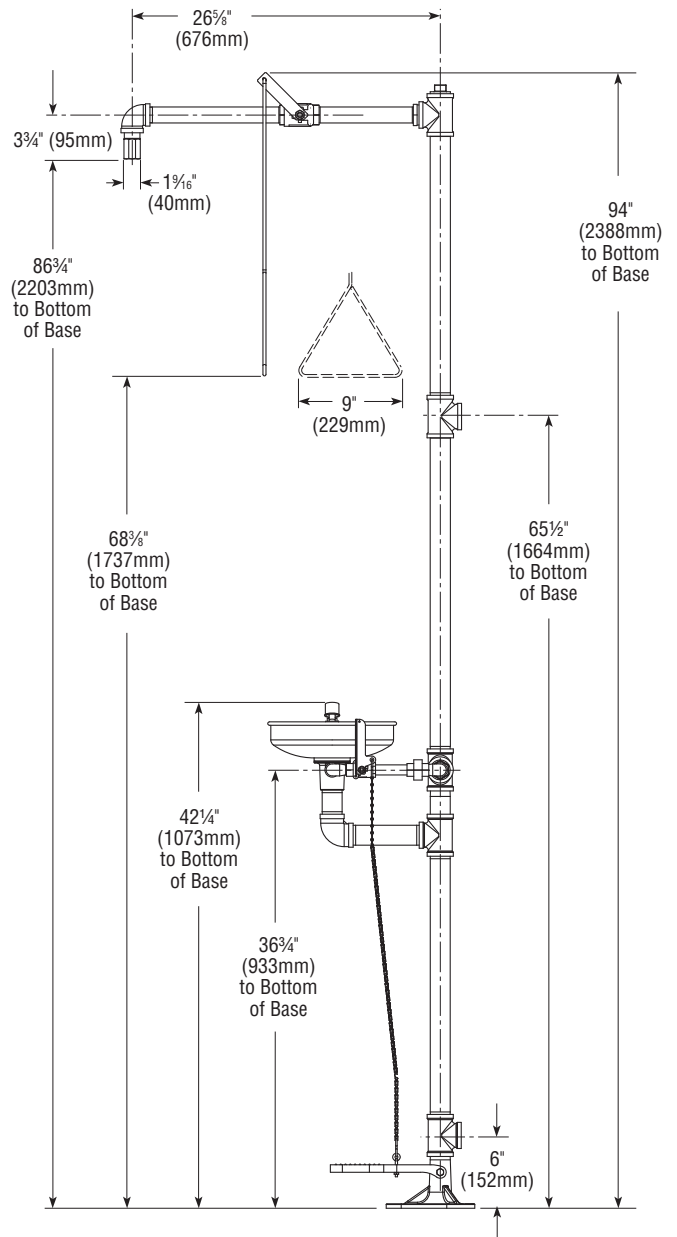
### Step 3: Connect water supply



**IMPORTANT: Do not rely on Bradley's Combination Unit to support supply piping.**

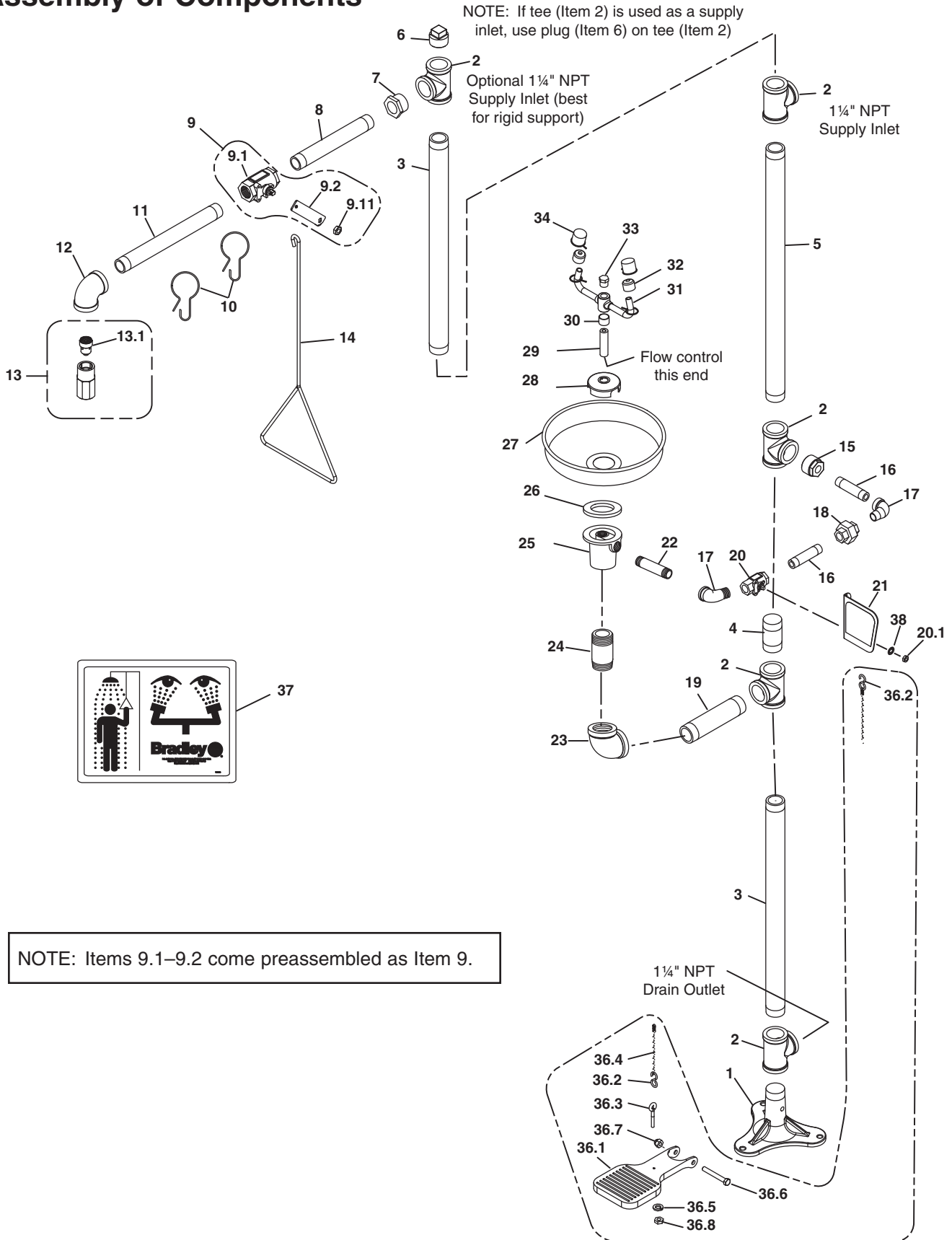
1. Connect water supply piping to 1 1/4" NPT inlet on unit (piping by installer). Provide adequate supports (by installer) for supply pipe using pipe hangers or other means.
2. Connect drain piping to 1 1/4" NPT drain outlet on unit (piping by installer).
3. Hang the safety sign from the unit with the curtain hooks provided (or mount it to the wall using sign-mounting hardware by installer).

*NOTE: All dimensions assume standard thread engagement. Variations in manufacturing allow for +/- 1/8" (3mm) per threaded joint. To find the tolerance of a dimension, add the number of thread joints in between a dimension and multiply it by 1/8" (3mm).*



Top View From Bowl

# Assembly of Components



## Parts List

Item	Part No.	Qty.	Description	Item	Part No.	Qty.	Description
1	131-079	1	Base	22	113-1001	1	Pipe ½" x 4"
2	269-1398	5	Pipe Tee 1¼"	23	269-1395	1	Pipe Elbow 1¼"
3	113-999	2	Pipe 1¼" x 22½"	24	113-997	1	Pipe 1¼" x 3"
4	S06-225	1	Pipe, Solid 1¼"	25	111-078	1	Inlet Drain
5	113-1195	1	Pipe 1¼" x 26"	26	124-028	1	Gasket [Buna "N"]
6	269-1402	1	Pipe Plug 1¼"	27	187-224	1	Bowl
7	269-1400	1	Reducing Bushing 1¼" x 1"	28	173-027	1	Cup Strainer
8	113-995	1	Pipe 1" x 9"	29	S90-387	1	Stem
9	S30-081	1	1" Ball Valve Assembly	30	113-1159	1	Spacer
9.1	S27-276	1	1" Ball Valve with Nut	31	S05-156	1	Yoke
9.11	160-152	1	Hex Nut 7/16"-20 UNF (only)	32	115-156	2	Sprayhead
9.2	128-155	1	Handle	33	153-449	1	Plug
10	151-001	2	Curtain Hook	34	107-371	2	Dust Cover [Plastic]
11	113-996	1	Pipe 1" x 12"	35	269-915	1	Grip Pad (not shown)
12	169-1075	1	Elbow 1"	36	S45-1314SS16	1	Foot Treadle
13	S24-201	1	Showerhead Assembly	36.1	181-008SS	1	Foot Pedal
13.1	S24-187	1	Flow Control Assembly, 23 GPM	36.2	269-1399	2	"S" Hook
14	128-157	1	Pull Rod	36.3	147-026	1	Eye Bolt [304 SST]
15	269-1401	1	Reducing Bushing 1¼" x ½"	36.4	134-009A	1	Chain 3" length [304L SST]
16	113-1002	2	Pipe ½" x 3¾"	36.5	142-002BT	1	Lockwasher [18-8 SST]
17	269-1396	2	Street Elbow 1/2"	36.6	160-401	1	Screw ¾"-16 x 2-3/4"
18	269-1397	1	Pipe Union	36.7	161-137	1	Acorn Nut ¾"-16
19	113-998	1	Pipe 1¼" x 6½"	36.8	161-025	1	Hex Nut #10-24 [18-8 SST]
20	S27-287	1	½" Ball Valve with Nut	37	114-052	1	Safety Sign [Plastic]
20.1	160-151	1	Hex Nut 5/16"-24 UNF (only)	38	142-002DA	1	Lockwasher
21	S08-338SS	1	Flag Handle				

**NOTES:**

1. All pipe/fittings are NPT.
2. Items are 316SST unless noted in their descriptions [ ].