

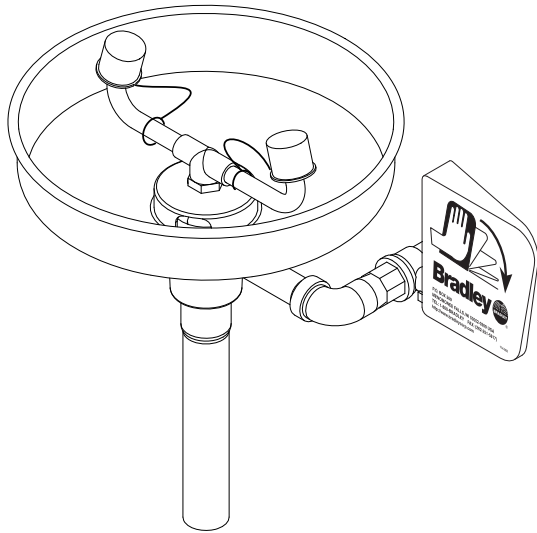
# Installation

## S19-230B

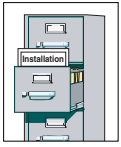
### Freestanding Eyewash

#### Table of Contents

Pre-Installation Information .....	2
Installation Instructions .....	3
Assembly of Components .....	4
Parts List .....	4



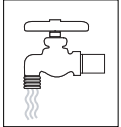
**⚠ WARNING ⚠**



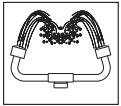
Read this installation manual completely to ensure proper installation, then file it with the owner or maintenance department. Compliance and conformity to drain requirements and other local codes and ordinances is the responsibility of the installer.



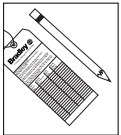
Separate parts from packaging and make sure all parts are accounted for before discarding any packaging material. If any parts are missing, do not begin installation until you obtain the missing parts.



Flush the water supply lines before beginning installation and after installation is complete. Test the unit for leaks and adequate water flow. Main water supply to the eyewash should be "ON" at all times. Provisions shall be made to prevent unauthorized shutoff.



The ANSI Z358.1 standard requires an uninterrupted supply of flushing fluid at a minimum 30 PSI (0.21 MPa) flowing pressure. Flushing fluid should be tepid per ANSI Z358.1.



The inspection and testing results of this equipment should be recorded weekly to verify proper operation. This equipment should be inspected annually to ensure compliance with ANSI Z358.1.



Workers who may come in contact with potentially hazardous materials should be trained regarding the placement and proper operation of emergency equipment per ANSI Z358.1.



For questions regarding the operation or installation of this product, visit [www.bradleycorp.com](http://www.bradleycorp.com) or call 1-800-BRADLEY.

Product warranties may also be found under "Product Information" on our web site at [www.bradleycorp.com](http://www.bradleycorp.com).

## Installation

*NOTE: Flush the water supply line before beginning installation.*

### Supplies Required:

- Pipe sealant
- Piping to 1/2" IPS water supply inlet on unit
- Piping to 1-1/4" IPS drain outlet for eyewash
- Sign-mounting hardware

### Step 1: Assemble eyewash components

1. Assemble eyewash components as shown in Figure 2 on page 4.
  - Apply pipe sealant (supplied by installer) to all male-threaded pipe joints.

*NOTE: The top of the eyewash heads should be 33"–45" (838mm–1143mm) from the floor.*

### Step 2: Connect water supply

1. Connect the water supply piping (supplied by installer) to the 1/2" IPS inlet on the eyewash (see Figure 1).
2. Connect the tailpiece to the 1-1/4" IPS drain outlet on the eyewash.
3. Mount the safety sign to the wall using sign-mounting hardware (supplied by installer).
4. Open the water supply lines. Test for leaks and adequate water flow.

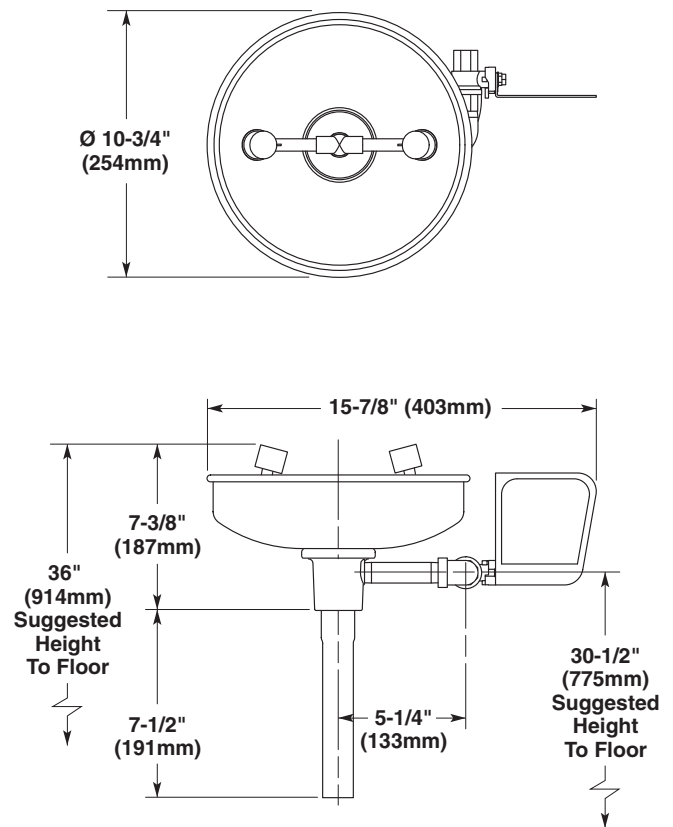
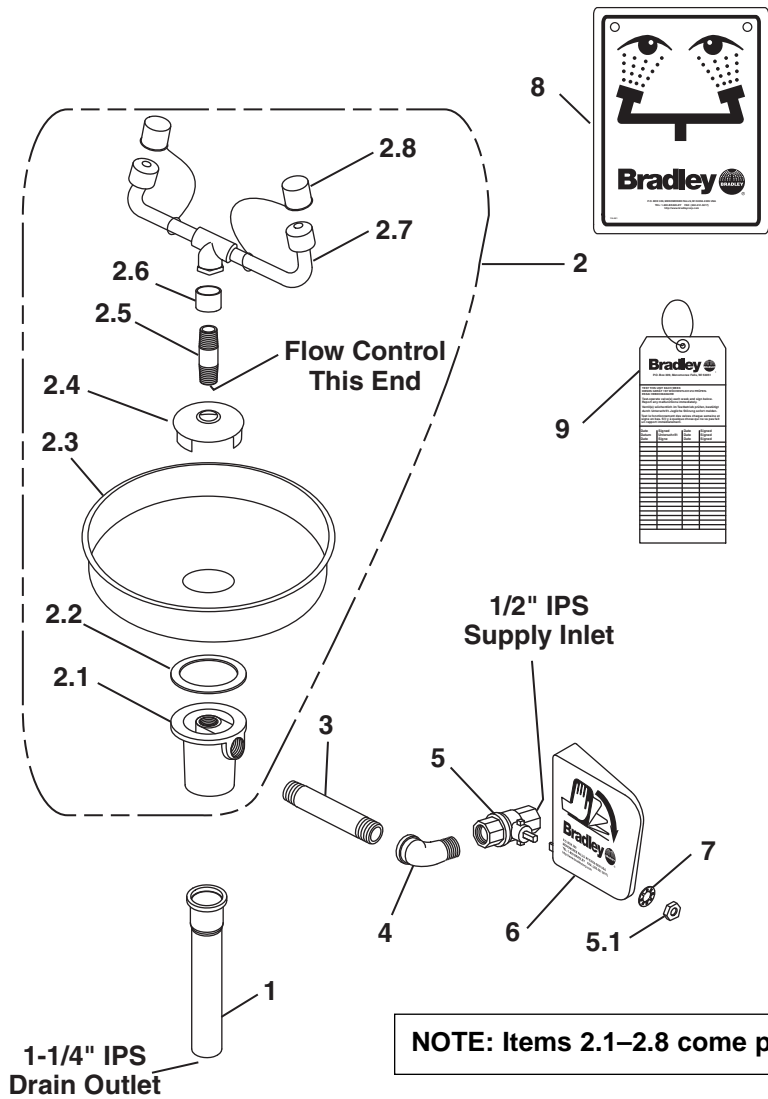


Figure 1

# Assembly of Components and Parts List



**Figure 2**  
1-1/4" IPS Drain Outlet

**NOTE: Items 2.1–2.8 come preassembled as Item 2.**

Item	Part No.	Qty	Description	Item	Part No.	Qty	Description
1	269-167	1	Tailpiece	2.8	107-371	2	Tethered Dust Cover
2	S90-285	1	Eyewash Bowl Assembly	3	113-006LQ	1	Pipe 1/2" x 3-1/2"
2.1	111-039	1	Inlet Drain Fitting	4	169-025	1	Street Elbow 1/2"
2.2	124-028	1	Center Seal Gasket	5	S27-282	1	1/2" Ball Valve w/Nut
2.3	187-053	1	Stainless Steel Eyewash Bowl	5.1	110-215	1	Nut Only
2.4	173-009	1	Cup Strainer	6	128-135	1	Plastic Eyewash Handle
2.5	S21-071	1	Supply Pipe	7	142-002DA	1	Lockwasher
2.6	113-1159	1	Spacer, Drain	8	114-051	1	Safety Sign
2.7	S05-091	1	Eyewash Yoke	9	204-421	1	Emergency Inspection Tag

Prepack S45-122 includes items 5, 5.1, 6, 7  
 Prepack S45-123 includes items 5.1, 6, 7  
 Prepack S45-1782 includes Items 2.2, 2.4, 2.5, 2.6