

Installation

S19-130SS

Stainless Steel Drench Shower - Vertical Supply

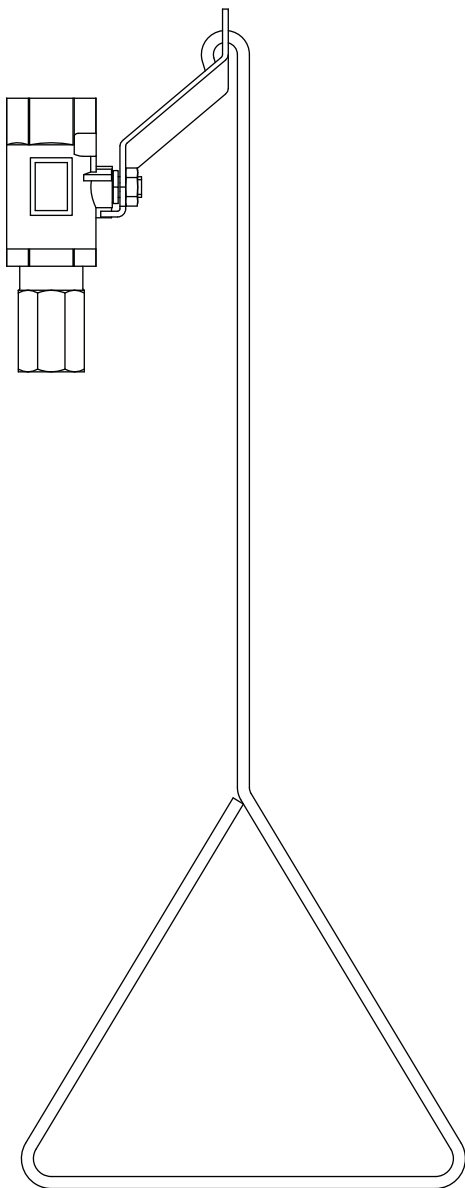
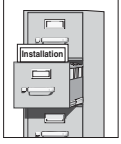


Table of Contents

Pre-Installation Information	2
Installation	3
Assembly of Components and Parts List	4

 **WARNING** 



Read this installation manual completely to ensure proper installation, then file it with the owner or maintenance department. Compliance and conformity to drain requirements and other local codes and ordinances is the responsibility of the installer.



Separate parts from packaging and make sure all parts are accounted for before discarding any packaging material. If any parts are missing, do not begin installation until you obtain the missing parts.



Flush the water supply lines before beginning installation and after installation is complete. Test the unit for leaks and adequate water flow. Main water supply to the eyewash should be "ON" at all times. Provisions shall be made to prevent unauthorized shutoff.



The ANSI Z358.1 standard requires an uninterrupted supply of flushing fluid at a minimum 30 PSI (0.21 MPa) flowing pressure. Flushing fluid should be tepid per ANSI Z358.1.



The inspection and testing results of this equipment should be recorded weekly to verify proper operation. This equipment should be inspected annually to ensure compliance with ANSI Z358.1.



Workers who may come in contact with potentially hazardous materials should be trained regarding the placement and proper operation of emergency equipment per ANSI Z358.1.



For questions regarding the operation or installation of this product, visit www.bradleycorp.com or call 1-800-BRADLEY.

Product warranties and service parts information may also be found under "Products" on our web site at www.bradleycorp.com.

Installation

Supplies Required:

- Pipe sealant
- Piping to 1" NPT water supply inlet
- Adequate supply pipe supports
- Minimum 4" (102 mm) drain to accommodate 30 gallons (115 liters) per minute discharge for shower waste
- Sign-mounting hardware

Step 1: Assemble components

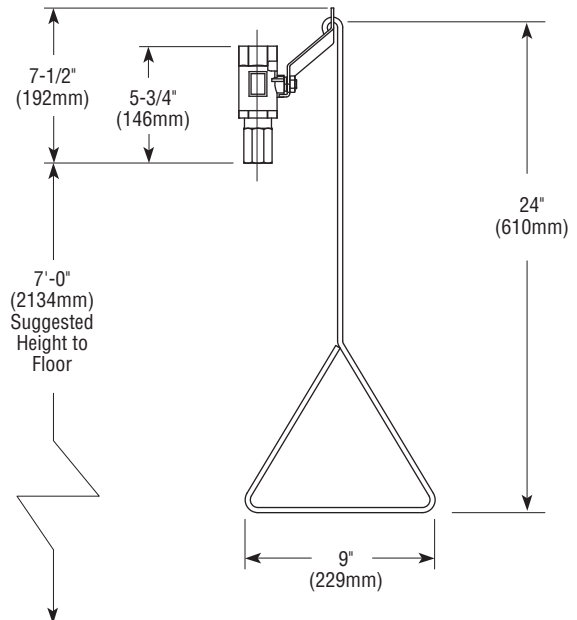
1. Assemble components as shown on page 4.
 - Apply pipe sealant (supplied by installer) to all male-threaded pipe joints.
 - The bottom edge of the showerhead should be 7'-0" (2134 mm) from the floor.

Step 2: Connect water supply

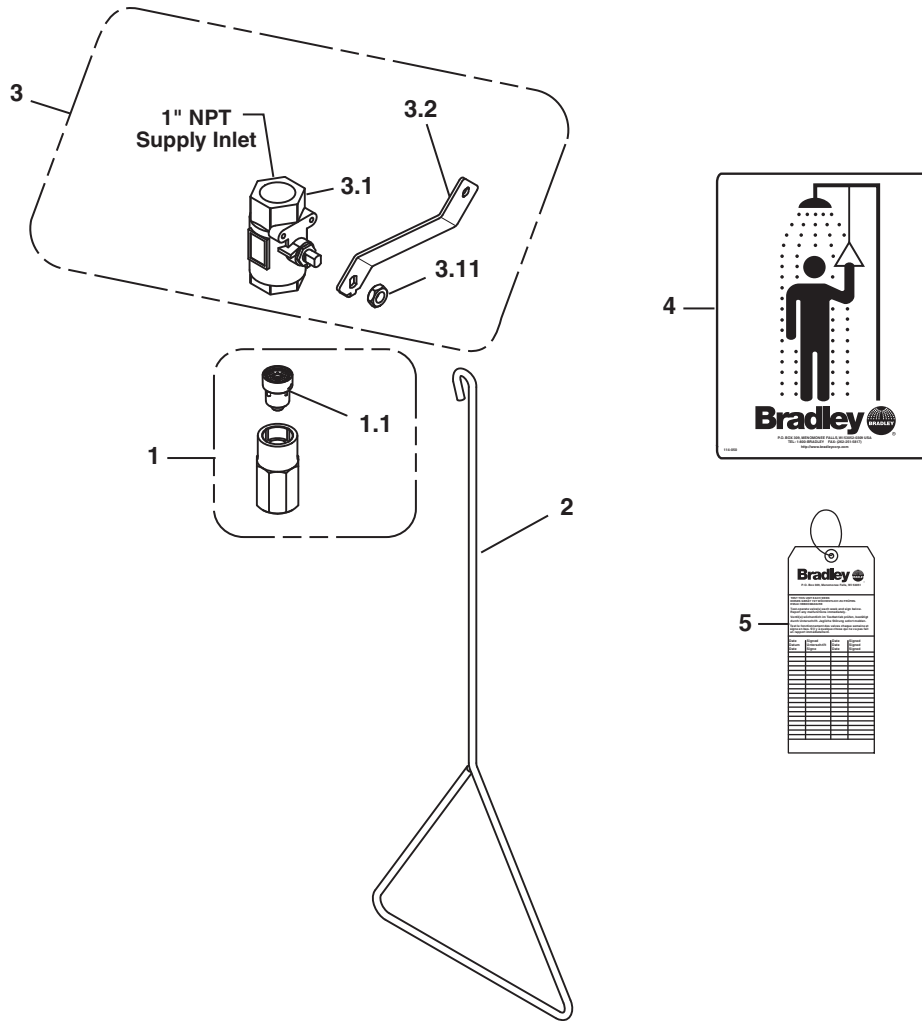


IMPORTANT: Do not rely on Bradley's Drench Shower to support supply piping.

1. Connect water supply piping to 1" NPT inlet on unit (piping supplied by installer). Provide adequate supports (supplied by installer) for supply pipe using pipe hangers or other means.
2. Mount the safety sign to the wall using sign-mounting hardware supplied by installer.



Assembly of Components



NOTE: Items 3.1–3.2 come preassembled as Item 3.

Parts List

Item	Part No.	Qty	Description	Item	Part No.	Qty	Description
1	S24-191	1	Stainless Steel Showerhead	3.11	161-079	1	Jam Nut Only
1.1	S24-187	1	Flow Control Assembly, 23 GPM	3.2	128-143	1	Handle
2	128-156A	1	Pull Rod, 24"	4	114-050	1	Safety Sign
3	S30-062	1	1" Stay-Open Ball Valve Assembly	5	204-421	1	Emergency Inspection Tag
3.1	S27-276	1	1" Ball Valve with Nut				