

ELKAY[®]

SPECIFICATIONS

EZH20™ System Filterless VRCGRN Cooler/ Bottle Filling Station

Models VRCGRN8WS & VRCGRNTL8WS

PRODUCT FEATURES

- Complete cooler and bottle filling station in a consolidated space saving ADA-compliant design
- Features energy-efficient refrigeration system
- Sanitary, no-touch, sensor activation with automatic 20-second shut-off timer
- Vandal-Resistant StreamSaver™ Bubbler
- Silver Ion anti-microbial protection
- Quick fill rate is 1.1 gpm for refrigerated units and 1.5 gpm for non-refrigerated units
- Laminar flow provides minimal splash
- Real drain system eliminates standing water
- Visual user interface display includes:
 - Green Ticker™ counting the quantity of bottles saved from waste

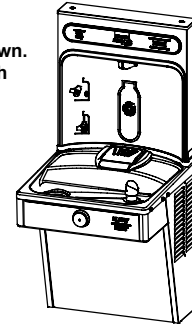
Unit shall provide 8.0 gph of 50° F water at 90° F ambient and 80° F inlet water. Bottle filling unit shall include an electronic sensor for no-touch activation with an automatic 20-second shut-off timer. Shall provide 1.1-1.5* gpm flow rate with laminar flow to minimize splashing. Shall include antimicrobial protected plastic components to prevent mold and mildew. Cooler unit shall have pushbutton activation and water-efficient Stream-Saver™ bubbler.

Shall include high-efficiency refrigeration system. Shall meet ADA guidelines. Shall be lead-free design which meets the Safe Drinking Water Act and is certified to NSF/ANSI 61 and California AB1953. Unit shall be certified to UL399 and CAN/CSA 22.2 No. 120.

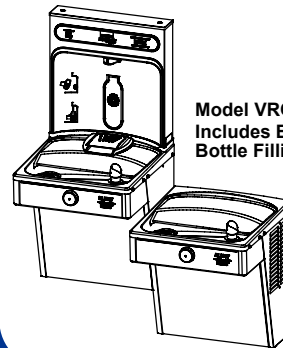
SUGGESTED SPECIFICATION

IMAGES

Model VRCGRN8WSK shown.
Includes Single Cooler with
Bottle Filling Station.



Model VRCGRNTL8WSK shown.
Includes Bi-Level Cooler with
Bottle Filling Station.



- 36292C Receptacle Adaptor Plug

OPTIONAL ACCESSORIES

Ideal for use in:

- Educational facilities
- Healthcare facilities
- Sport and fitness centers
- Airports
- Office buildings
- Other commercial buildings

APPLICATIONS

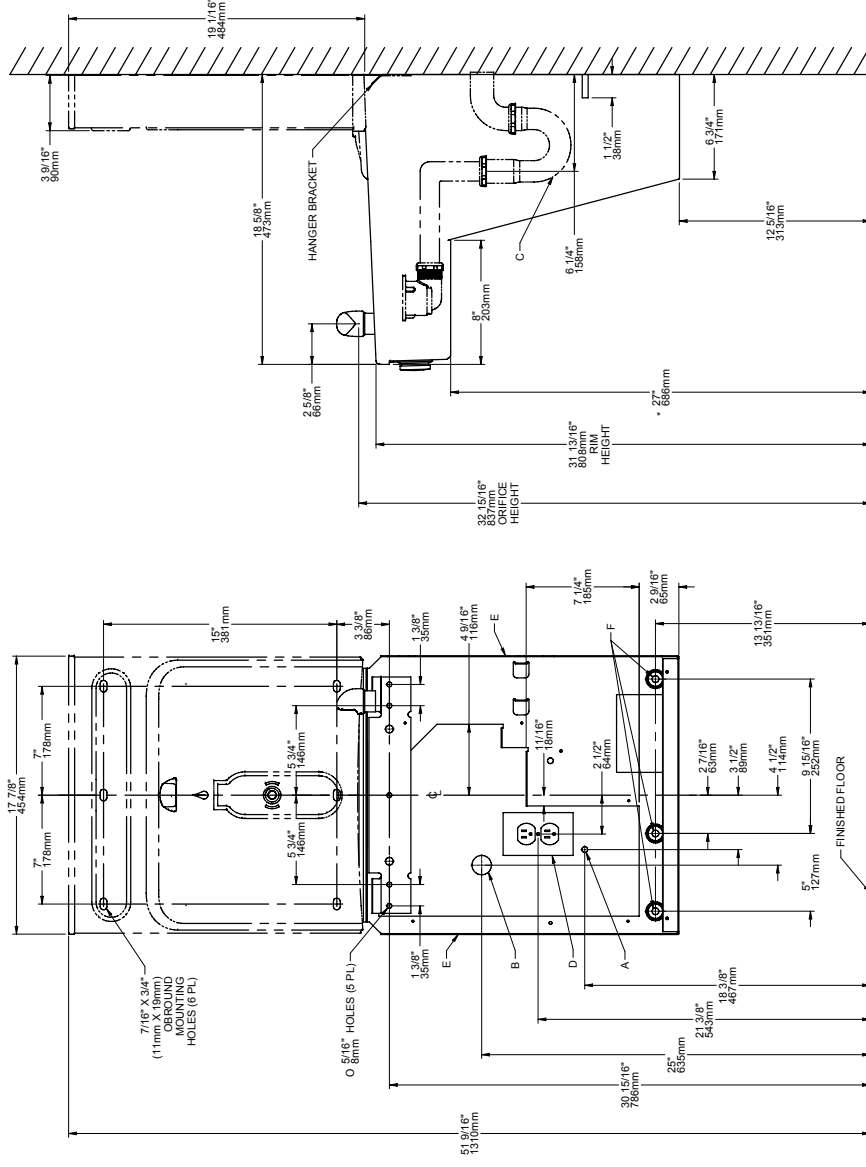
2222 Camden Court Phone: 630-572-3192
Oak Brook, IL 60523 Web: Elkayusa.com



Third Party Certified to:

- UL399 and CAN/CSA 22.2 No. 120
- Lead-free compliance including NSF/ANSI 61 and CA AB1953

*Rated for Indoor Use Only



*Reduce Height By 3" For Installation Of Children's ADA Cooler

LEGEND:

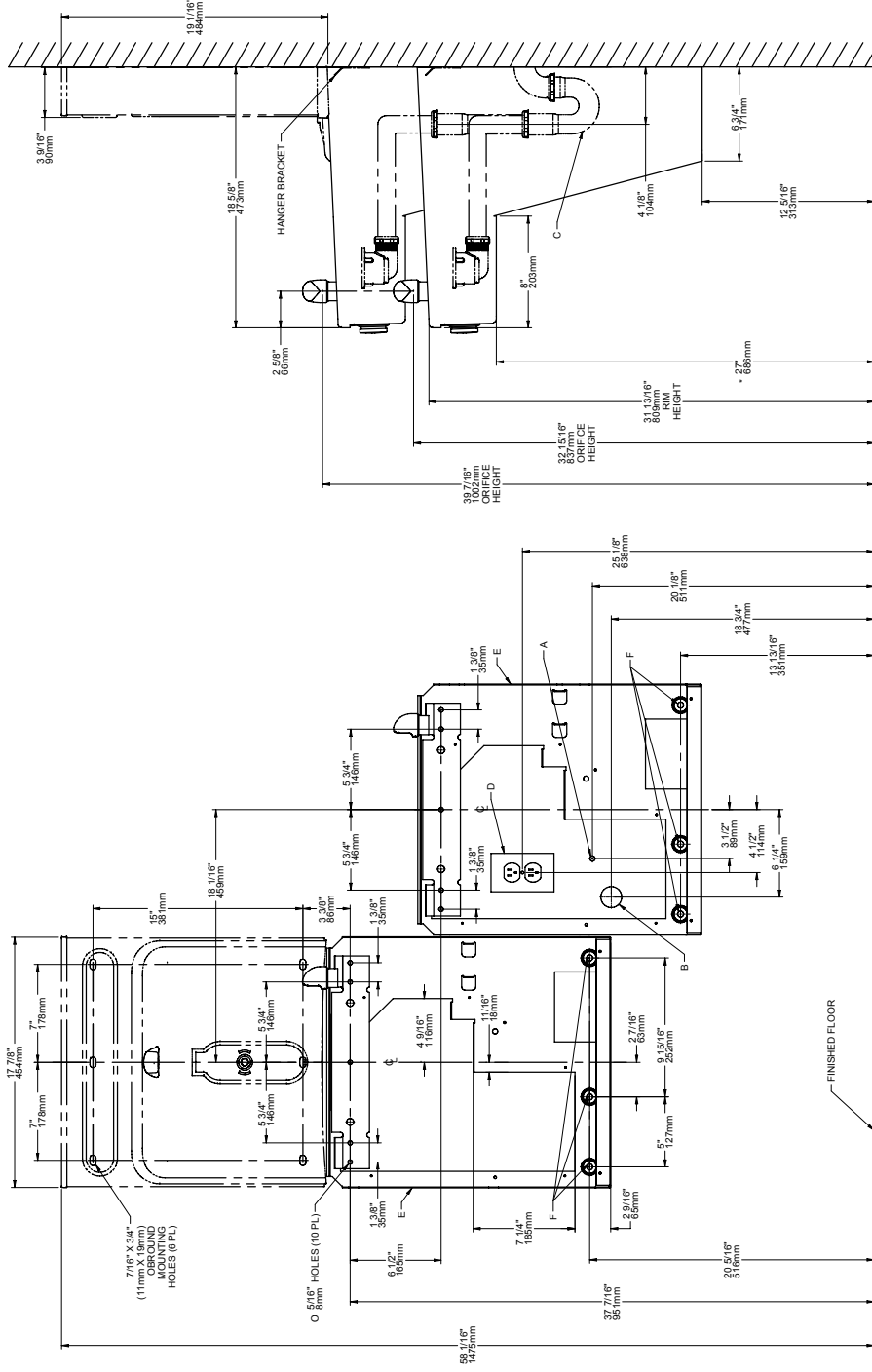
- A = Recommended Water Supply Location 3/8 O.D. Shut-Off Valve (Not Furnished) to accept 3/8" O.D. unplated copper tube
- B = Recommended Location For Waste Outlet To Accommodate 1-1/2" Nominal Drain.
- C = 1-1/2" Trap (Not Furnished)
- D = Electrical Supply (3) Wire Recessed Box Duplex Outlet
- E = Insure proper ventilation by maintaining 6" (152mm) minimum clearance from cabinet louvers to wall.
- F = 7/16" Bolt Holes For Fastening Unit To Wall

Specifications and measurements are subject to change without notification. Please visit elkayusa.com for most current version.

2222 Camden Court
Oak Brook, IL 60523
Phone: 630-672-3192
Web: Elkayusa.com

Model VRCGRN8WSK

*Rated for Indoor Use Only



*Reduce Height By 3" For Installation Of Children's ADA Cooler

LEGEND:

- A = Recommended Water Supply Location 3/8 O.D. Shut Off Valve (Not Furnished) to accept 3/8" O.D. unplated copper tube
- B = Recommended Location For Waste Outlet To Accommodate 1-1/2" Nominal Drain.
- C = 1-1/2" Trap (Not Furnished)
- D = Electrical Supply (3) Wire Recessed Box Duplex Outlet
- E = Insure proper ventilation by maintaining 6" (152mm) minimum clearance from cabinet louvers to wall.
- F = 7/16" Bolt Holes For Fastening Unit To Wall

Specifications and measurements are subject to change without notification. Please visit elkayusa.com for most current version.

2222 Camden Court
Oak Brook, IL 60523
Phone: 630-672-3192
Web: Elkayusa.com

Model VRCGRNTL8WSK