

# ELKAY® SPECIFICATIONS

## Outdoor Tubular Bottle Filling Station Model LK4410BF

### GENERAL

Pedestal steel bottle filler with textured power coat finish and E-Coat immersion for year-round beauty with minimum maintenance. The E-Coat immersion process coats the outside and inside of the unit for the ultimate in corrosion protection.

Designed to be easily accessible to both physically challenged and able-bodied individuals. Ideally suited for installation in public areas. Model meets state and federal requirements as defined by the Americans with Disabilities Act.

### NO LEAD DESIGN

This fountain is certified by WQA to lead-free compliance including **NSF/ANSI 61-ANNEX G, AB 1953**.

This model complies with the lead-free definition in the Safe Drinking Water Act of 1986 and Lead Contamination Act of 1988.

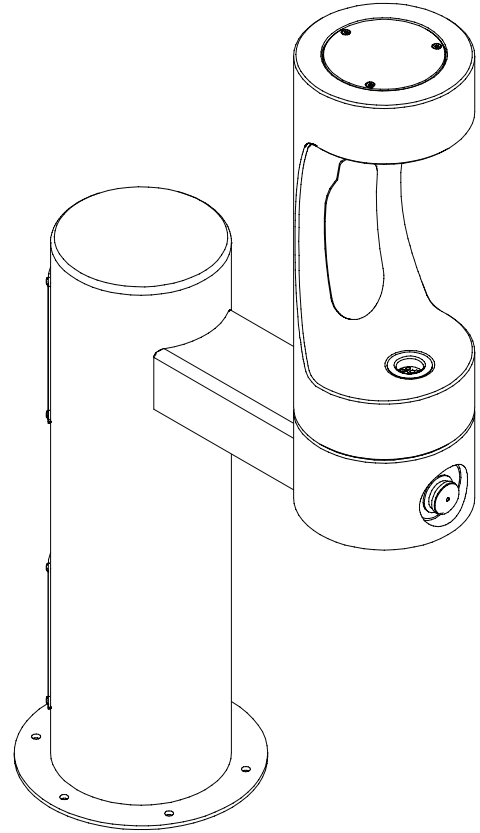
### CONSTRUCTION

**Bottle Filler:** Heavy-duty steel construction with rounded design. Laminar flow minimizes splash and allows easy maintenance. Quick fill rate at 1 gallon per minute.

**Pushbutton Actuation Mechanism:** Self-closing, vandal-resistant pushbutton does not require grasping or twisting.

**Inlet Strainer:** Easily cleaned in-line strainer screen traps particles of 140 microns or larger before they enter the waterway.

**Access Panel:** Manufactured of heavy-gauge steel with vandal-resistant screws. Provides access for easy hook-up of all plumbing connections.



Model LK4410BF



This model is ADA compliant when properly installed.

### SUGGESTED SPECIFICATIONS

Unit shall be of tubular steel construction. Shall include single bottle filler unit with laminar flow and front pushbutton activation. Shall comply with ADA guidelines and be certified to lead-free compliance including NSF/ANSI 61, CA 1953 and the Safe Drinking Water Act.

**Shipping Weight:** 203 lbs.

*In keeping with our policy of continuing product improvement, Elkay reserves the right to change product specifications without notice.*

*This specification describes an Elkay product with design, quality and functional benefits to the user. When making a comparison of other producers' offerings, be certain these features are not overlooked.*

**Outdoor Tubular  
Bottle Filling Station  
Model LK4410BF**

**ELKAY®**  
**ROUGH-IN DIMENSIONS**

**MOUNTING INSTRUCTIONS and  
PLUMBING CONNECTIONS**

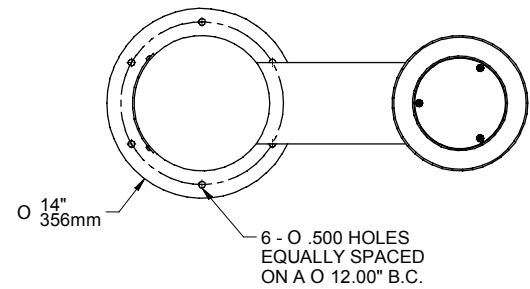
Mount on a smooth, flat, finished surface with adequate support (300 lb. load maximum). Secure unit with six 3/8" minimum screws or anchor bolts (not provided). Refer to rough-in.

Water supply 3/8" O.D. unplated copper tube. Waste 1-1/4" IPS.

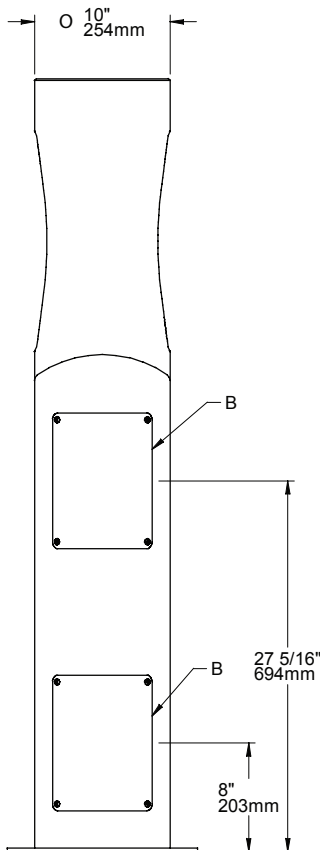
Trap and service stop not included.

**Operating Pressures:** Supply water: 20 - 105 psi maximum.

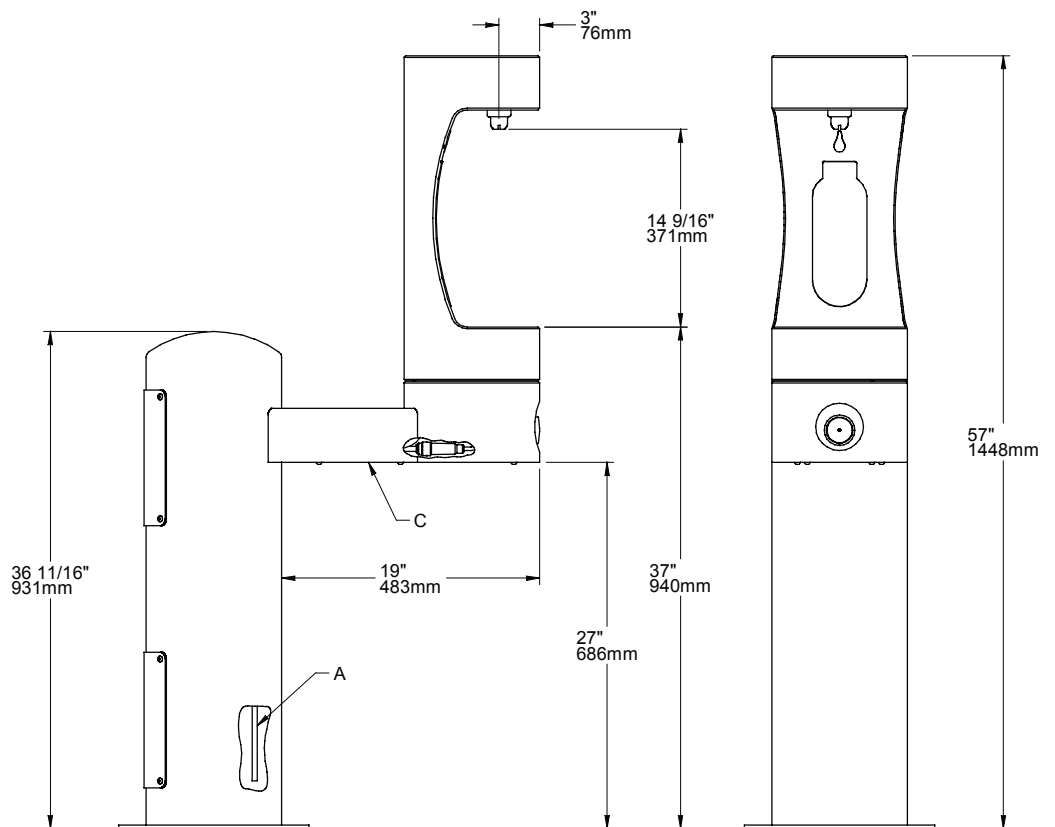
**TOP VIEW**



**FRONT VIEW**



**BACK VIEW**



**LEGEND**

**A = 3/8" O.D. UNPLATED COPPER TUBE CONNECT - SHUT OFF VALVE BY OTHERS**

**B = ACCESS PANEL ( 8" X 10" )**

**C = REMOVABLE BOTTOM COVER**