

ELKAY[®]

SPECIFICATIONS

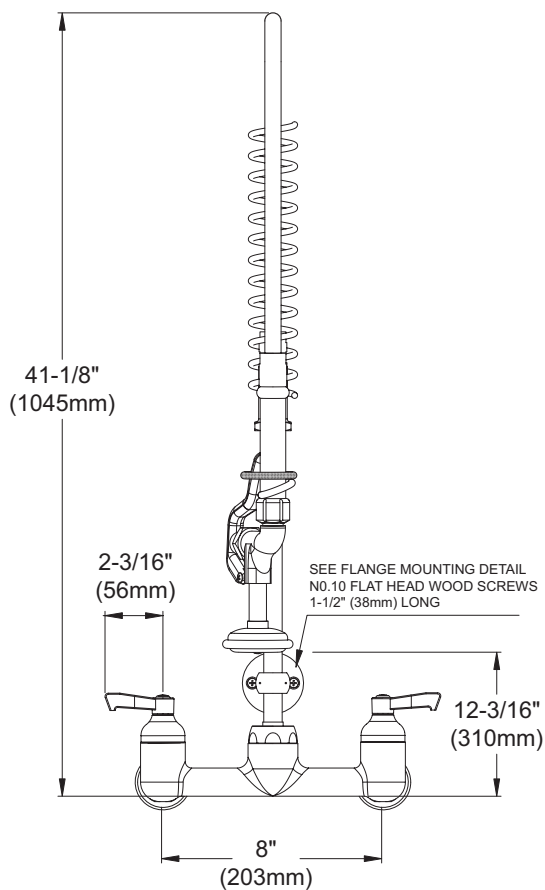
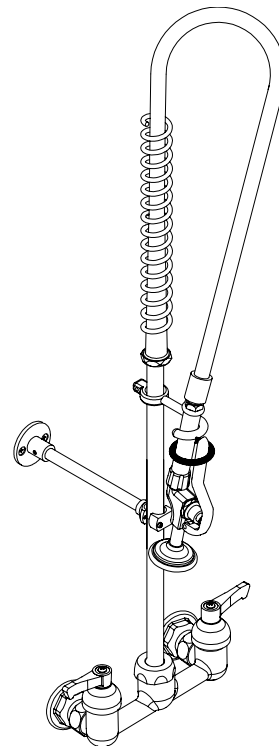
Commercial Faucet Model LK943C Wall Mount Pre-Rinse

GENERAL FEATURES

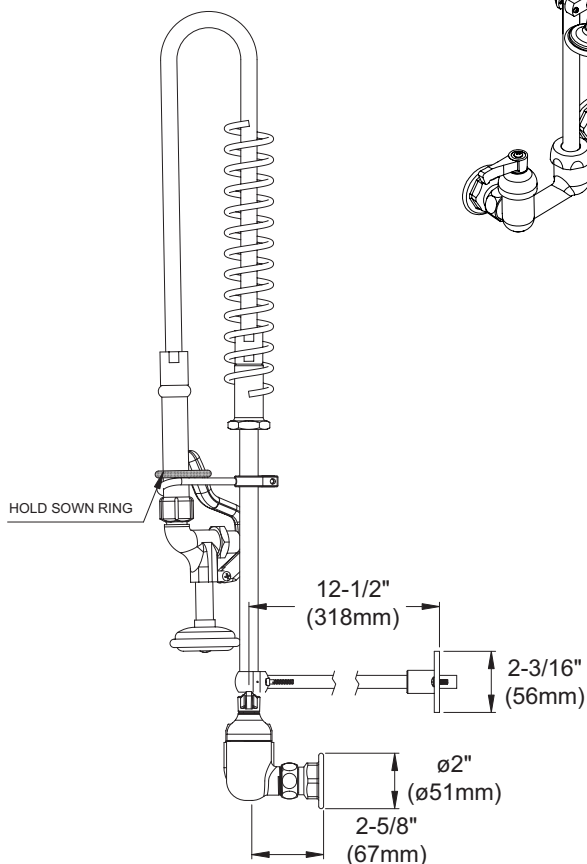
- Quarter turn ceramic disc cartridge
- Solid brass construction
- Chrome finish
- Replacement cartridge A70001 for cold
- Replacement cartridge A70002 for hot

COMPLIES WITH:

- ASME/ANSI A112.18.1
- CSA B125-01
- NSF/ANSI 61
- ADA
- UPC/CUPC
- IAPMO Listed



FRONT VIEW



SIDE VIEW

Job Name:

Item #:

Notes:

Architect/Engineer Approval:

Date:

For warranty information go to www.elkayusa.com

Elkay

www.elkayusa.com

2222 Camden Court
Oak Brook, IL 60523

Printed in U.S.A.
©2005 Elkay

(10/05)

17-67