

FEATURES

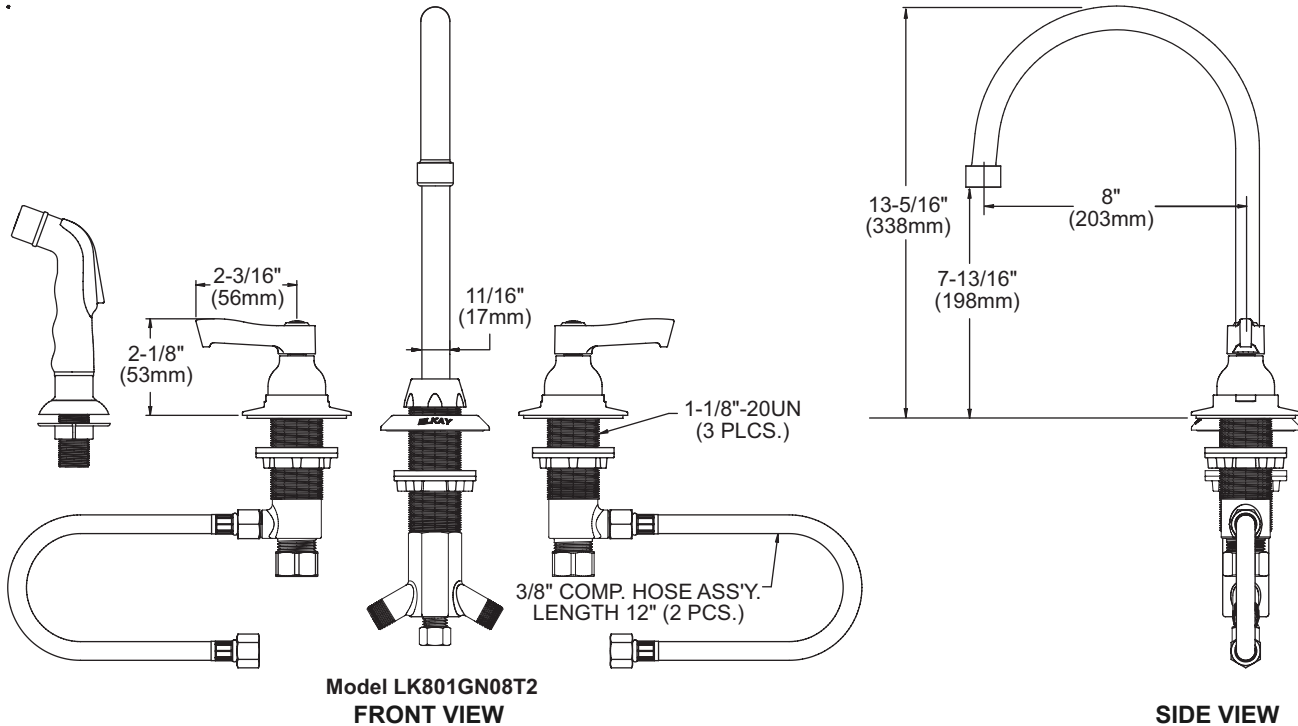
Model LK801GN08L2

- Four hole dual handle under counter mount faucet with side spray
- Quarter turn ceramic disc cartridge
- Solid brass construction
- Chrome finish
- Includes spout swing restriction pin

COMPLIES WITH:

- ASME/ANSI A112.18.1
- CSA B125-01
- NSF/ANSI 61
- ADA
- UPC/CUPC
- IAPMO Listed

Concealed Deck Mount 8" Center Commercial Faucet with Side Spray Model LK801GN08L2



Job Name:	Item #:
Notes:	
Architect/Engineer Approval:	Date:

SEE OTHER SIDE FOR REPLACEMENT PARTS