



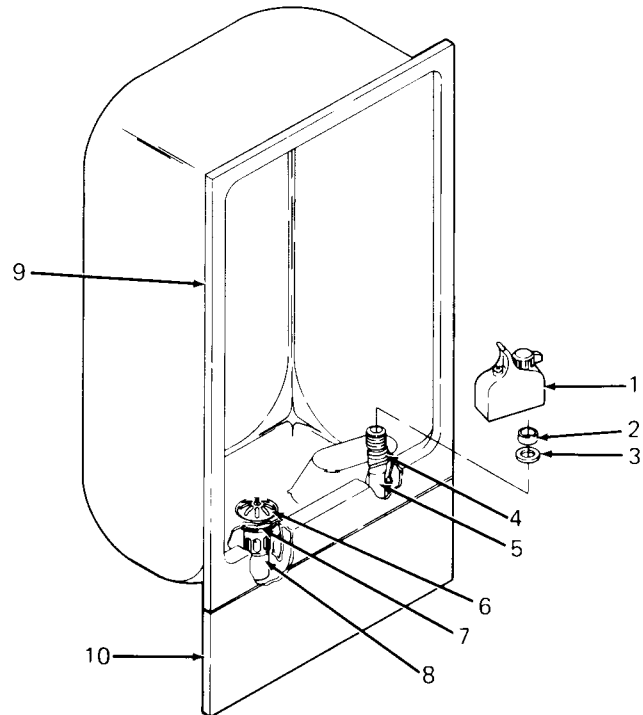
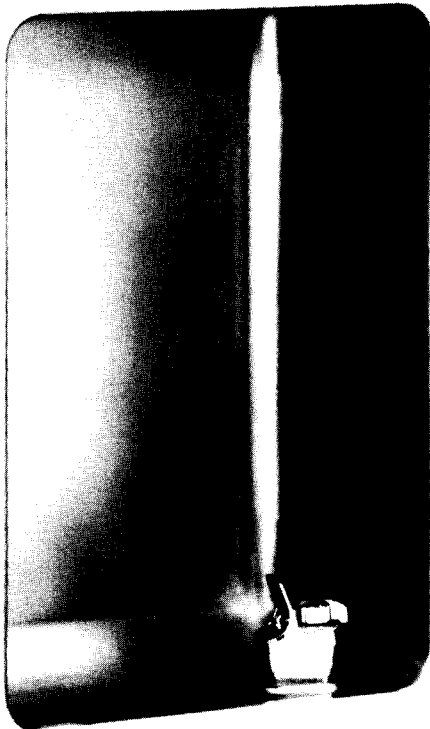
**AQUARIUS**

*Kelvinator*

White-Westinghouse

# ILLUSTRATED PARTS BREAKDOWN

**FULLY-RECESSED  
DRINKING FOUNTAIN MODELS:  
DF-211-001 FLF211 FLF211-001**



## PARTS LIST

ITEM NO.	DESCRIPTION	
1	12000 Valve .....	026551-002
	12000A Valve (FLF-001 Series) .....	030774-002
2	Valve Body Gasket .....	008983
3	Friction Washer .....	009281
4	Bubbler Spud Gasket .....	028706-001
5	Water Supply Tube Assembly .....	029273-001
6	Strainer Assembly .....	024207
7	Strainer Gasket .....	011416
8	Waste Tail Piece .....	019915
9	Top Assembly .....	028847-001
10	Plumbing Cover .....	028255-001

### NOT SHOWN

MISCELLANEOUS:		
	Carafe Filler Assembly .....	024452-001
	Mounting Frame Assembly .....	028389-001

OASIS® & AQUARIUS® are registered trademarks of EBCO Manufacturing Company  
The trademarks Kelvinator® and White-Westinghouse® are used under license from White Consolidated Industries, Inc.

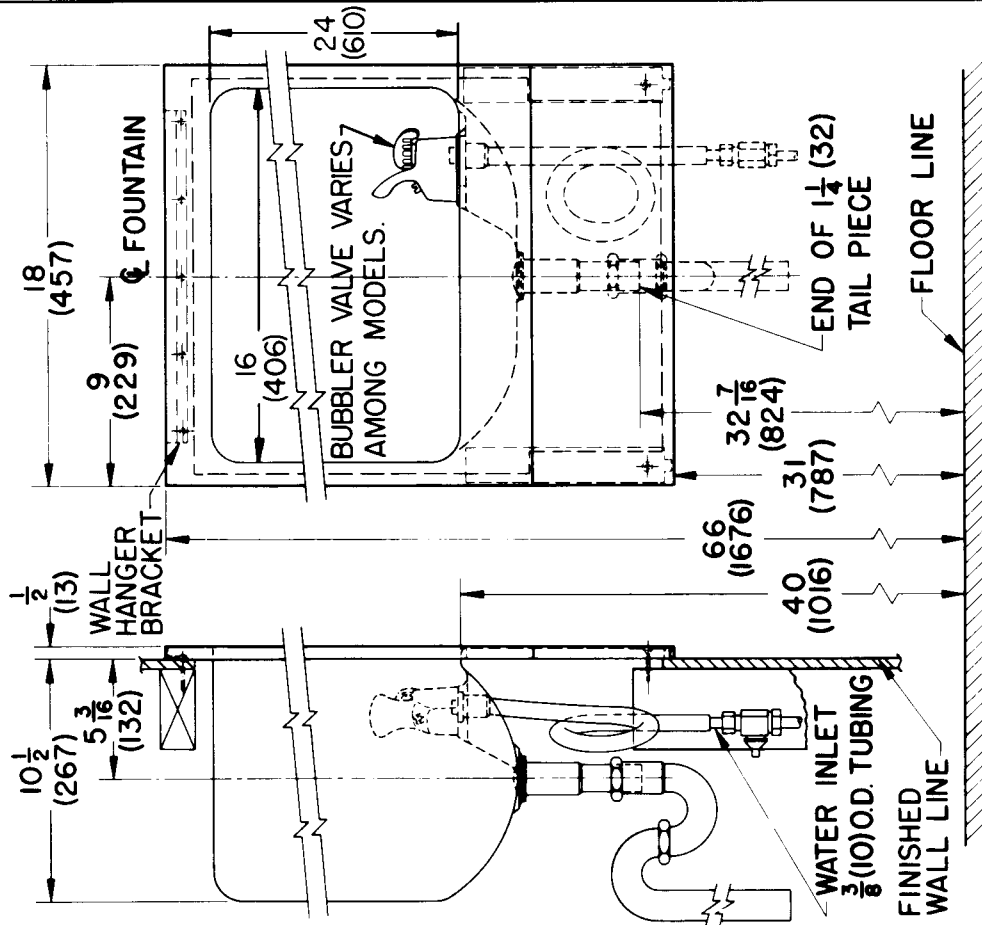
**EBCO**® MANUFACTURING COMPANY

265 N. Hamilton Rd. • P.O. Box 13150 • Columbus, OH 43213-0150 • 614/861-1350 • Fax: 614/861-5017

FORM NO. 6028  
9/93

Copyright 1993 EBCO Manufacturing Co.

### DIMENSIONAL DRAWING



NOTES:  
 TRAP AND FIXTURE STOP VALVE NOT FURNISHED WITH DRINKING FOUNTAIN.  
 ALL DIMENSIONS ARE IN INCHES.  
 DIMENSIONS IN PARENTHESES() ARE IN MILLIMETERS.

### ROUGHING-IN DRAWING

