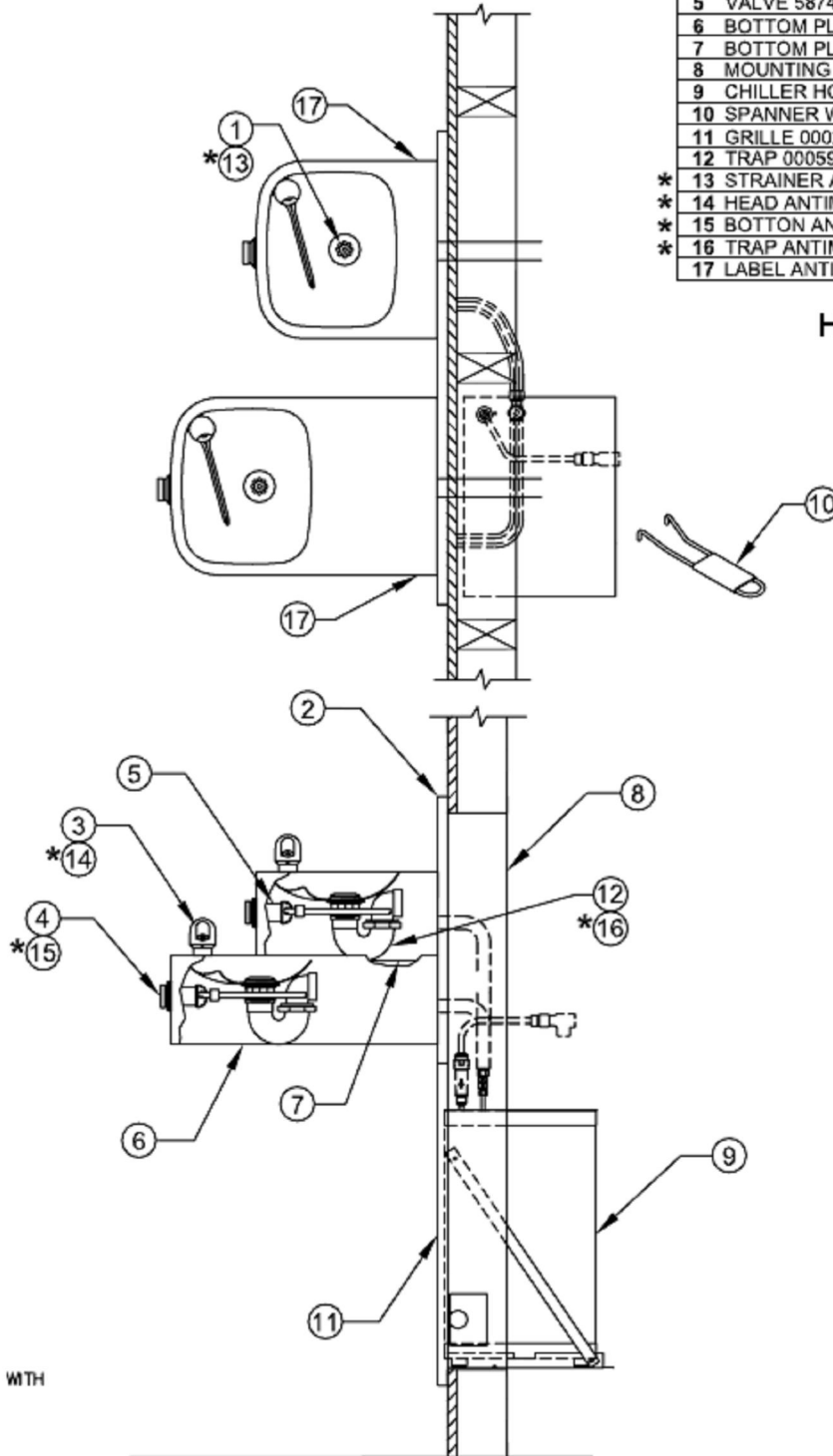


PARTS BREAKDOWN

ITEM	DESCRIPTION
1	STRAINER ASSEMBLY 6462
2	BACK PANEL 0004023580
3	HEAD 5703M
4	BUTTON ASSEMBLY PBA6
5	VALVE 5874
6	BOTTOM PLATE PBM1109 (LONG)
7	BOTTOM PLATE PBM1105 (SHORT)
8	MOUNTING FRAME MTGFR.LG
9	CHILLER HCR8-300
10	SPANNER WRENCH 0006983506
11	GRILLE 0002626651
12	TRAP 0005982900
*	13 STRAINER ANTIMICROBIAL 6462A
*	14 HEAD ANTIMICROBIAL 5703MA
*	15 BOTTON ANTIMICROBIAL PBA6A
*	16 TRAP ANTIMICROBIAL 0005982901
	17 LABEL ANTIMICROBIAL 0003149795

Haws H1119-8



NOTE:

1. ASTERISK (*) DENOTES PARTS WITH AN ANTIMICROBIAL COATING.

www.DrinkingFountainDoctor.com
1-800-518-5388