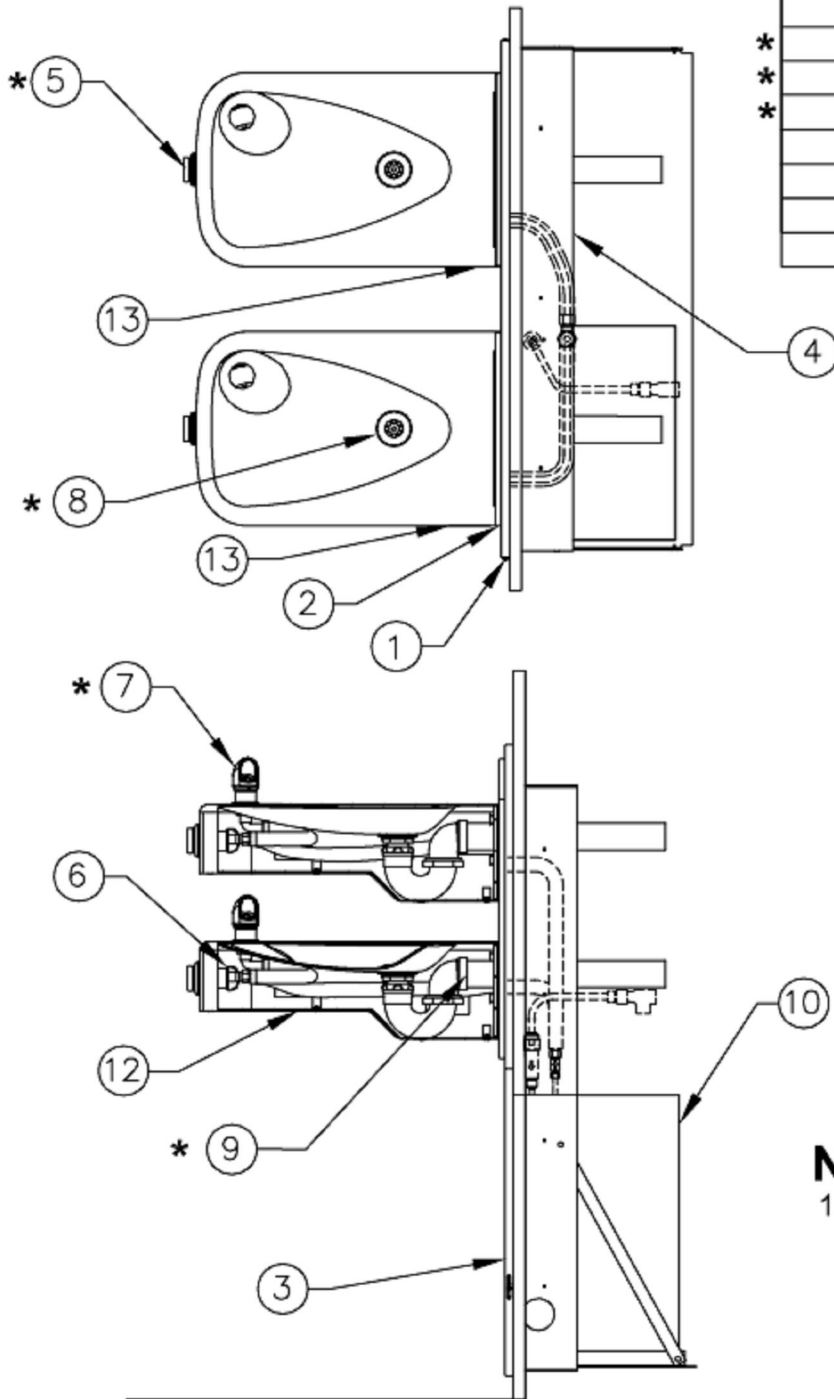


# PARTS BREAKDOWN

ITEM	DESCRIPTION	
1	BACK PANEL P/N 0004023590	
2	SMALL BACK PANEL P/N 0004023587	
3	GRILLE 1117L P/N 0002626600	
4	MOUNTING FRAME MTGFR.17	
*	5	BUTTON ANTIMICROBIAL PBA6A
6	VALVE 5874	
*	7	HEAD ANTIMICROBIAL 5703MA
*	8	STRAINER ANTIMICROBIAL 6462A
*	9	TRAP ANTIMICROBIAL 0005982901
10	REMOTE CHILLER HCR8	
11	SPANNER WRENCH P/N 0006983506	
12	BOTTOM PLATE P/N 0004449315	
13	LABEL ANTIMICROBIAL 0003149795	



Haws H1117-8

## NOTE:

1. ASTERISK (\*) DENOTES PARTS WITH AN ANTIMICROBIAL COATING.

[www.DrinkingFountainDoctor.com](http://www.DrinkingFountainDoctor.com)  
1-800-518-5388