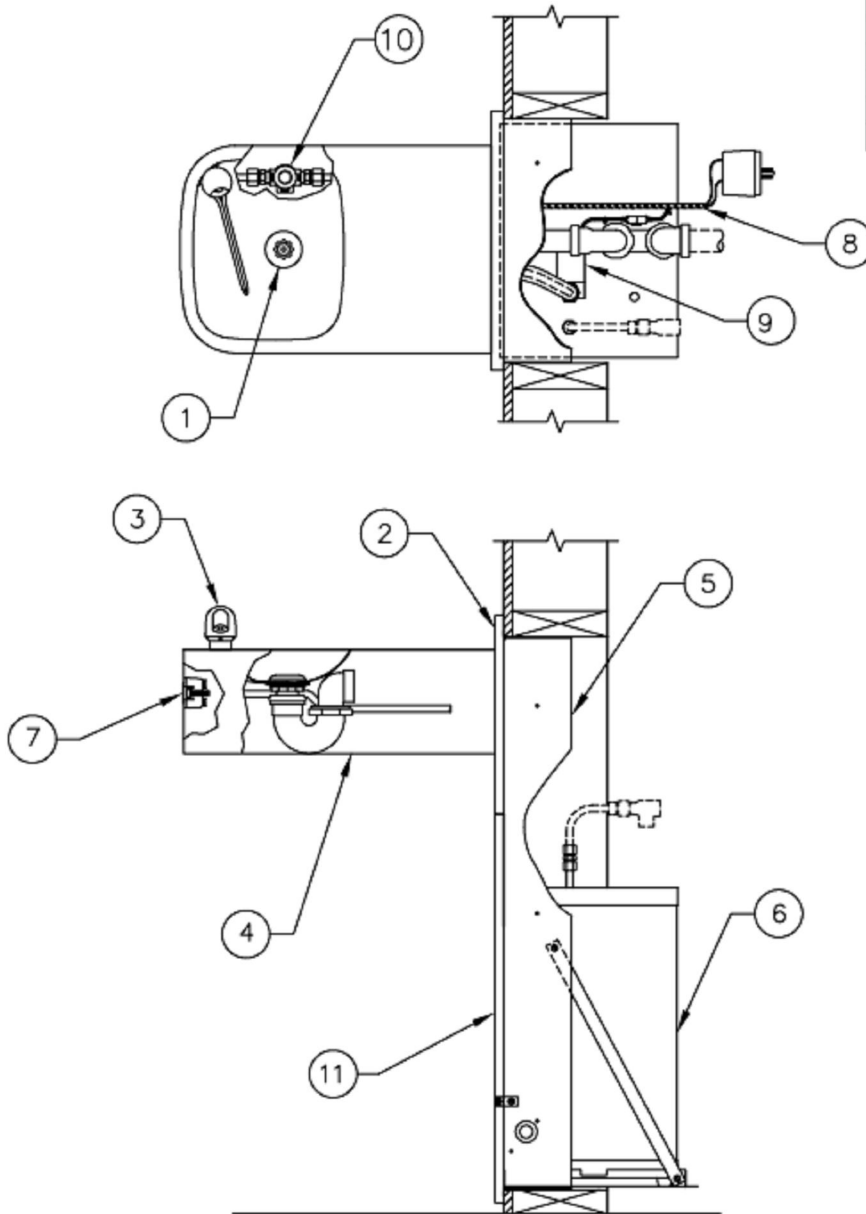


THIS DOCUMENT IS TRUE AND CORRECT AT TIME OF PUBLICATION. CONTINUED PRODUCT IMPROVEMENTS MAKE SPECIFICATIONS AND MEASUREMENTS SUBJECT TO CHANGE WITHOUT NOTICE.

# PARTS BREAKDOWN

ITEM	DESCRIPTION
1	STRAINER ASSY 6462
2	BACK PANEL BP3
3	BUBBLER HEAD 5703M
4	ACCESS PLATE PBM1109
5	MOUNTING FRAME MTGFR.SM
6	CHILLER HCR8
7	SENSOR VRKH01
8	WIRING HARNESS VRKH02
9	SOLENOID VRKH03
10	VALVE REGULATOR 5867
11	GRILLE 0002626701

Haws H1109-8HO



www.DrinkingFountainDoctor.com  
1-800-518-5388

REV	DESCRIPTION	EDN	DATE	BY/APVD
REVISIONS				

©2006 Haws Corporation - All Rights Reserved  
HAWS® and other trademarks used in these materials are the exclusive property of Haws Corporation.